

# ACO Self® Europoint installation instructions



Europoint Flat



Europoint Deep



Europoint Deep/Round



For safe and proper use, always carefully read through the instructions for use and all other documents enclosed with the product, pass them on to the end user and keep them until the end of the product's life.


## Introduction

ACO Hochbau Vertrieb GmbH (hereinafter referred to as ACO in the following) thanks you for your trust and hands over to you a product which is state-of-the-art and has been tested for proper condition within the framework of the quality controls implemented before delivery.




Figures in these instructions for use are provided for basic understanding and may differ, depending on the product version and the installation situation.

### Service, spare parts and accessories

Spare parts and accessories, refer to “Product catalogue“:  <http://www.aco-hochbau.de/products>.

For additional information:  <http://www.aco-hochbau.de/kontakt>.

### Warranty

For information regarding the warranty, refer to “General Terms and Conditions of Business”, („Allgemeine Geschäftsbedingungen“),  <http://www.aco-tiefbau.de/agb>

### Symbols utilised

Certain information in these assembly instructions for use is marked as follows:



Tips and additional information, which make the work easier

■ Bullet points

→ Actions to be carried out in the specified order



References to other information in these assembly instructions for use and other documents

## Table of contents

<b>1</b>	<b>For your safety .....</b>	<b>4</b>
1.1	Use.....	4
1.2	Personnel qualifications .....	4
1.3	Personal protective equipment .....	5
1.4	Tool.....	5
1.5	Cleaning.....	6
1.6	Disposal.....	6
<b>2</b>	<b>Product Description .....</b>	<b>6</b>
2.1	Product features .....	6
2.2	Accessories.....	6
2.3	ACO Self® Construction Kit.....	7
<b>3</b>	<b>Installation .....</b>	<b>8</b>
3.1	Connection to the pipework.....	8
3.2	ACO Self® Europoint Flat.....	8
3.3	ACO Self® Europoint Deep.....	10
3.4	ACO Self® Europoint Deep/Round .....	12
3.5	ACO Self® Europoint - Accessories - Design frame.....	17
<b>4</b>	<b>Cleaning the ACO Self® Europoint .....</b>	<b>19</b>
<b>5</b>	<b>Notice.....</b>	<b>21</b>

# 1. For your safety



Always read the safety instructions before installing and using the ACO Self® Europoint in order to prevent damage to property.

## 1.1 Use

The ACO Self® Europoint drains water (low pollution level, no solids) from water taps in gardens, on patios, on terraces and garage drive-ways safely for people and harmless for buildings into the drainage pipe. They are intended for draining public car parks, customer car parks or company car parks. The owner is always solely responsible for the planning and dimensioning of the ACO Self® Europoint, including the required load class.

Other installation and utilisation possibilities as well as alterations are prohibited..



## 1.2 Personnel qualifications

References to other information in these assembly instructions for use and other documents






Activities	Person	Knowledge
Layout, operational changes	Planners	Knowledge of civil engineering, gardening and landscaping. Assessment of waste water technology application cases, proper design of drainage systems
Installation, dismantling	Skilled people	On-site measures, construction of recesses and floor superstructures, installation and sealing of wastewater pipes
Transport, storage, operational monitoring, maintenance	Owner, user	No specific requirements
Disposal	Skilled people	Appropriate and environmentally friendly disposal of materials and substances, knowledge of recycling

### 1.3 Personal protective equipment

Personal protective equipment must be made available to the personnel and supervisors must check that it is used or worn.

Figure	Meaning
	Safety footwear provides good slip resistance, especially in wet conditions, as well as a high degree of penetration resistance (e.g. in case of nails) and protects the feet from falling objects (e.g. during transport).
	Protective gloves protect hands from infections as well as slight crushing or bruises and cuts, especially during transport, installation, maintenance and dismantling.

### 1.4 Tools

Figure	Meaning
	Spade, shovel
	Spirit level
	Hand compactor
	Mortar bucket
	Trowel

## 1.5 Cleaning

Clean the ACO Self® Europoint point drainage 1 - 2 times a year. Clean more regularly in the case of a high degree of soiling e.g. by leaves.

- Always remove dirt and foreign bodies
- Inspect for unobstructed inlets and outlets
- Replace missing or defective parts

## 1.6 Disposal


Local recycling yard - building material

# 2. Product Description

## 2.1 Product features

- Features of the ACO Self® Europoint
- Manufactured according to DIN 1236, EN124, drive-on capable for passenger cars up to Class B
- Sockets as vertical, horizontal and horizontal with 15° angle of deflection
- Frost-proof installation possible with corresponding depth
- High load capacity for a long useful service life
- Material: polymer concrete (frost-proof)

## 2.2 Accessories

- Additional accessories (odour traps, design frames, leaf bucket/sludge buckets, grating hooks), refer to:  <http://www.aco-hochbau.de/produkte>.

## 2.3 ACO Self® Construction Kit

### Grat



**Galvanised steel ladder grating**

Car-accessible, Art.-No. 319620



**Galvanised steel mesh grating**

Cl. B 125, Art.-No. 319626



**Mesh grating in plastic**

Car-accessible, Art.-No. 319621



**Cast iron grating**

Cl. B 125, Art.-No. 319624



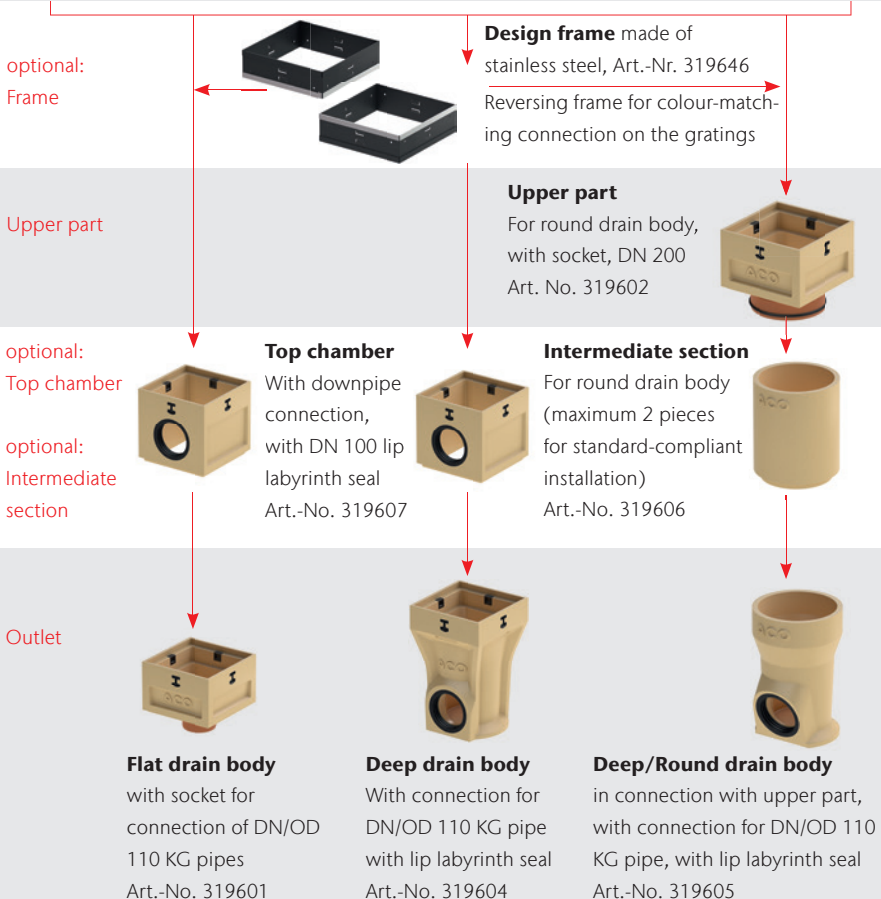
**Stainless steel longitudinal rod**

Car-accessible, Art.-No. 319622



**Plastic grating with Microgrip**

Cl. B 125, Art.-No. 319623



### 3. Installation

Control the scope of delivery before installation. Never install damaged parts and report them to ACO or your specialist dealer.

#### 3.1 Connection to the pipework

- Local recycling yard – building material

#### 3.2 ACO Self® Europoint Flat

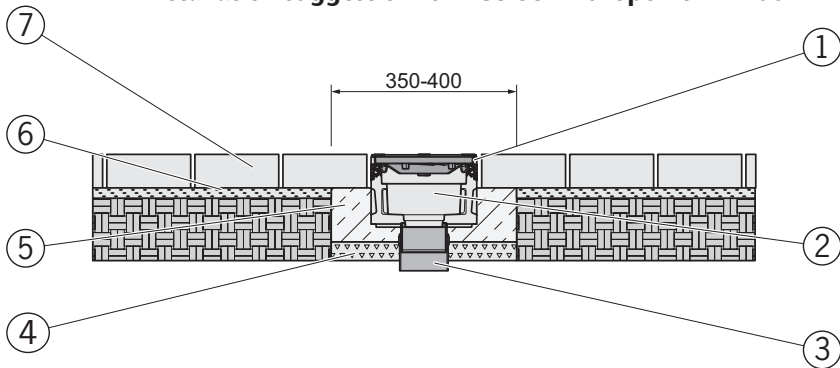
Installation situation: Garden/Patio or Terraces

Product(s): ACO Self® Europoint Flat

#### IMPORTANT

Always clean the gully before installation to ensure the function.

#### Installation suggestion for ACO Self® Europoint DN 100



- |                                     |                                  |
|-------------------------------------|----------------------------------|
| 1 = Grating                         | 5 = Concrete                     |
| 2 = ACO Self® Europoint Flat, small | 6 = Pavior bedding*)             |
| 3 = KG pipe DN/OD110                | 7 = Rectangular concrete paviors |
| 4 = Sand                            |                                  |

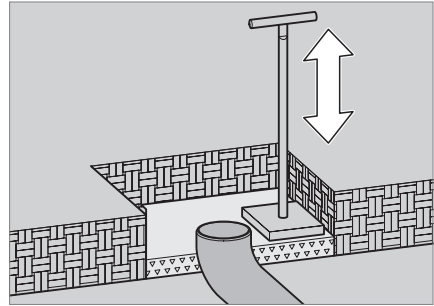
\* Sand, gravel or grit bedding (unbound construction method = standard construction method according to ZTV P StB9).



### 3.21 Installing the ACO Self® Europoint Flat

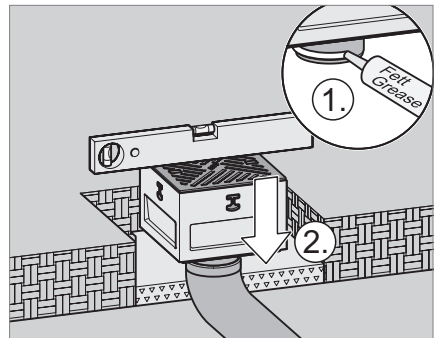
#### Create installation space:

- Create installation space (on-site) (approx. 0.5m x 0.5m x 0.5m).
- KG pipe (collar 110 mm) for Euro point vertical connection.
- KG pipe (socket 110 mm) for vertical standard point connection.
- Compact the substrate with sand (bedding material as sand 0/8).

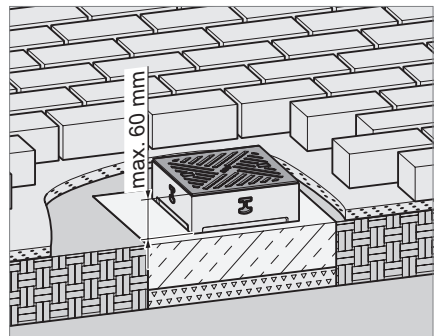


#### Install point outlet:

- Grease the socket (1).
- Attach Europoint Flat with grating and align (approx. 3-5 mm below the adjacent surface e.g. paviers) (2).
- Alignment to the pavior pattern is possible, 360° rotatable.



- Fill in concrete up to maximum 60 mm below the surface. Foundation concrete as concrete quality C12/15.



Lay the paviers (wet in wet).

### 3.3 ACO Self® Europoint Deep

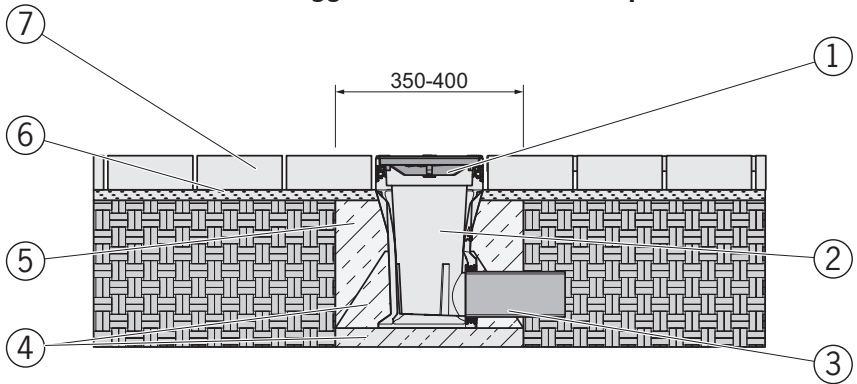
Installation situation: Garden/Patio or Terrace/Against the house

Product(s): ACO Self® Europoint Deep

#### IMPORTANT

Always clean the gully before installation to ensure the function.

#### Installation suggestion for ACO Self® Europoint



- |                              |                                  |
|------------------------------|----------------------------------|
| 1 = Grating                  | 5 = Concrete                     |
| 2 = ACO Self® Europoint Deep | 6 = Pavior bedding*)             |
| 3 = KG pipe                  | 7 = Rectangular concrete paviors |
| 4 = Foundation concrete      |                                  |

\* Sand, gravel or grit bedding (unbound construction method = standard construction method according to ZTV P StB9).

### 3.31 Installing the ACO Self® Europoint Flat

#### Create installation space/Lay KG pipe

→ Create installation space (on-site)  
(approx. 0.5 m x 0.5 m x 1.0 m)

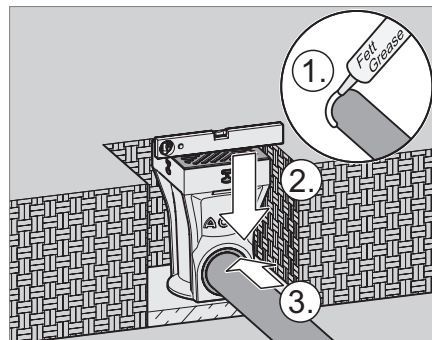
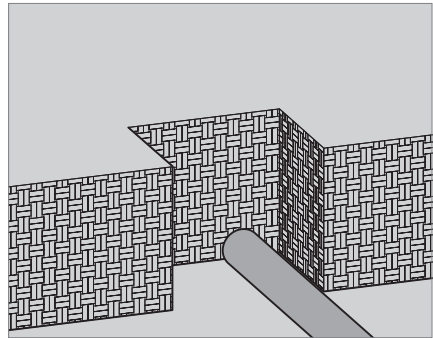


Increase the installation space accordingly when utilising a top chamber.

→ KG pipe (socket 110 mm) for Euro-  
point horizontal connection.

#### Install point outlet:

- Create the foundation. Foundation  
concrete quality minimum C12/15.
- Grease the KG pipe (1).
- Position Europoint Deep and align it (2).
- Insert into the seal up to the stop end  
(approx. 3 mm) (3).



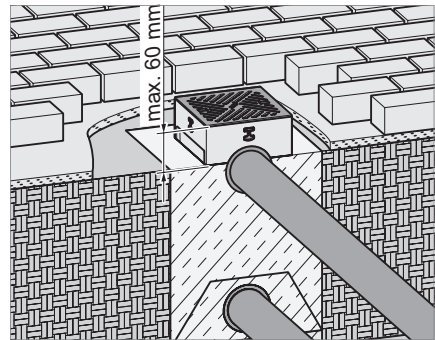
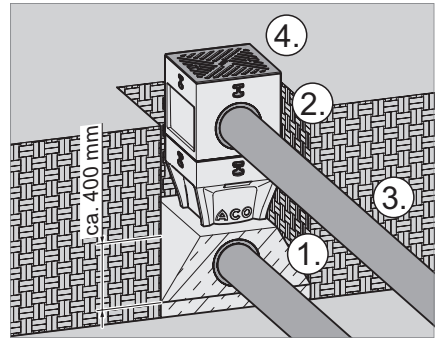
## Installation

- Create concrete casing ( $\geq 10$  cm) (1). Foundation concrete quality minimum C12/15.
- Position the top chamber (+230 mm) (2).
- The rainwater downpipe must be connected before filling with bedding material when utilising the top chamber (3).



Seal the top frame with ACO Water-seal if necessary.

- Insert frame with grating (4) (approx. 3-5 mm below adjacent surface, e. g. paviors).
- Fill in with concrete to maximum 60 mm below surface. Foundation concrete quality minimum C12/15.
- Lay the paviors (wet in wet).



### 3.3 ACO Self® Europoint Deep/Round

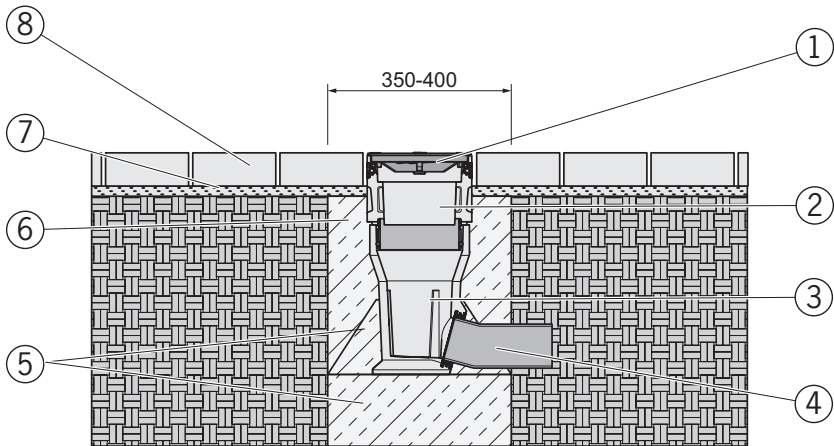
Installation situation: Car park

Product(s): ACO Self® Deep/Round

#### IMPORTANT

Always clean the gully before installation to ensure the function.

#### Installation suggestion for ACO Self® Europoint Deep/Round



1 = Grating

2 = Top chamber

3 = ACO Self® Europoint Deep/Round

4 = KG pipe

5 = Foundation concrete

6 = Concrete

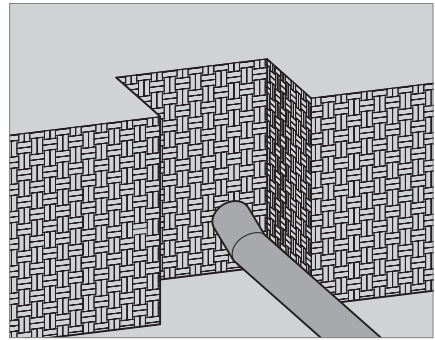
7 = Pavior bedding\*)

8 = Rectangular concrete paviers

\* Sand, gravel or grit bedding (unbound construction method = standard construction method according to ZTV P StB9).

### 3,41 Installing the ACO Self® Europoint Deep/Round

→ Create installation space/ lay KG pipe:  
Create installation space (on-site)  
(approx. 0.5 m x 0.5 m x 1.0 m)



Increase the installation space accordingly when intermediate elements are utilised.

One intermediate part + **277 mm**  
Two intermediate parts + **554 mm**

→ KG pipe (collar 110 mm) for Euro-  
point horizontal connection.

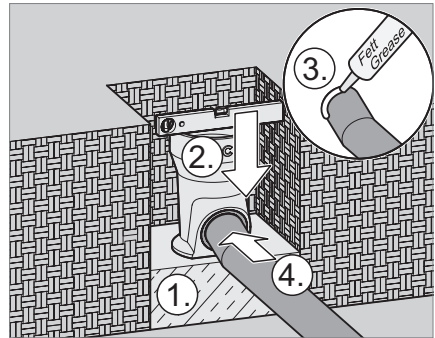
Installation space dimensions:  
Without intermediate section

= **553 - 528 mm**

One intermediate section

= **830 - 805 mm**

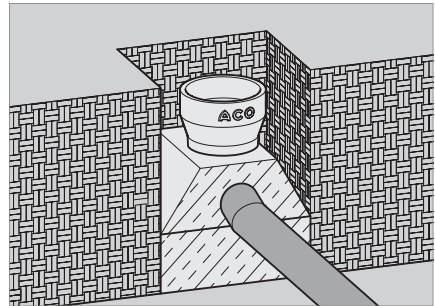
Two intermediate sections  
= **1100 - 1075 mm** below the sur-  
face.



#### Install point outlet:

- Create the foundation. Foundation  
concrete quality minimum  
C12/15 (1).
- Position Europoint Deep/Round and  
align it (2).
- Grease the KG pipe (3).
- Insert into the seal up to the stop end  
(approx. 3 mm) (4).

- Create a concrete casing (  $\geq 10$  cm).  
Foundation concrete quality minimum C12/15.

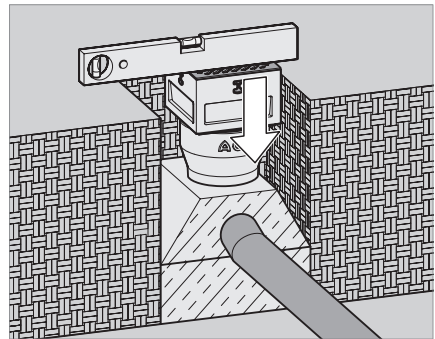


- Position top part.
- Adjust the top part to the surface by turning, tilting or height adjustment.

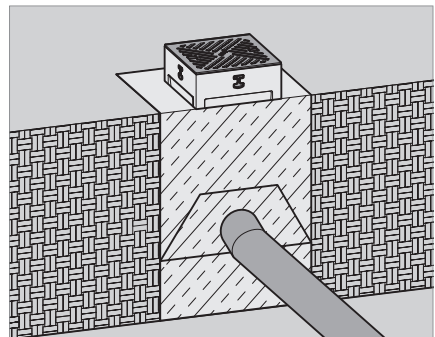


Seal intermediate part with ACO Waterseal if necessary.

- Insert frame with grating (approx. 3-5 mm below adjacent surface e. g. paviers).

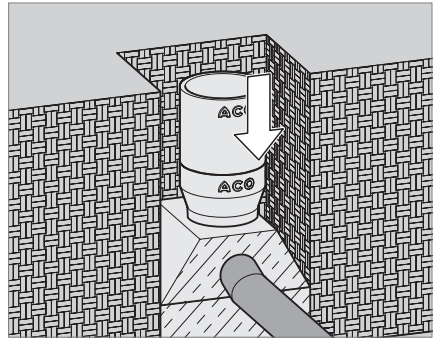


- Fill in with concrete to maximum 60 mm below surface. Foundation concrete quality minimum C12/15.



## Installation

→ If necessary, position intermediate part.



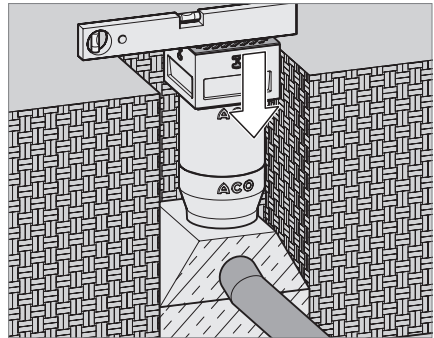
→ Position top part.

→ Adjust the top part to the surface by turning, tilting or height adjustment.



Seal intermediate part with ACO Waterseal if necessary.

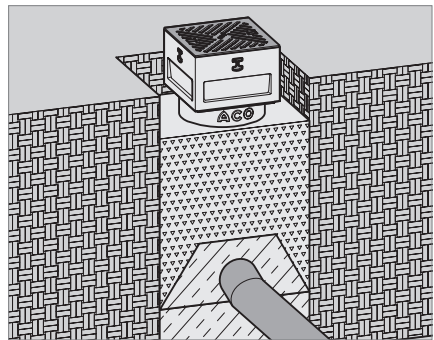
→ Insert frame with grating (approx. 3-5 mm below adjacent surface e. g. paviers).



When utilising an intermediate part:

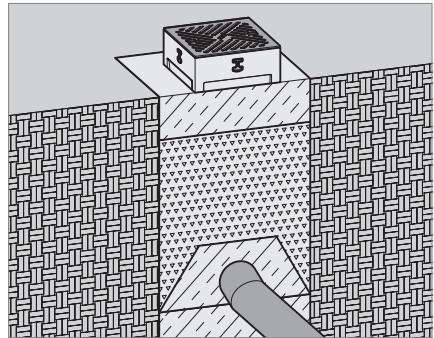
→ Fill up with sand.

→ Compaction of sand (bedding material Sand 0/8) (1).

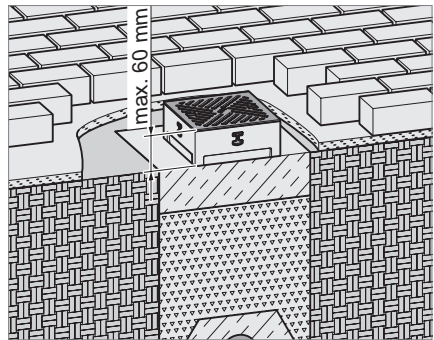




→ Fill in with concrete to maximum 60 mm below surface. Foundation concrete quality minimum C12/15.



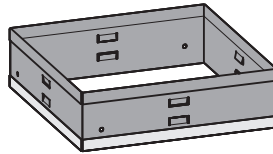
→ Lay the paviors (wet in wet).



### 3.5 ACO Self® Europoint – Accessories – Design frame

Product(s): Design frame [two heights –  
depending on grating (black or metal)]

#### Design frame



Depending on the grating (black or metal), the design frame can be fitted on the edge of the Europoint. The frame has 2 different heights and will be adapted to the grating height.

#### 3.51 Installing the ACO Self® Europoint Deep/Round

Height adjustment of the design frame:

→ The projecting height can be altered by rotating the design frame around its axis.

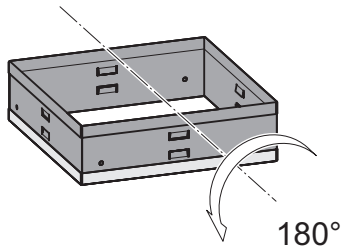
Silver border (for metal grating)



**Lower height**

Black border –

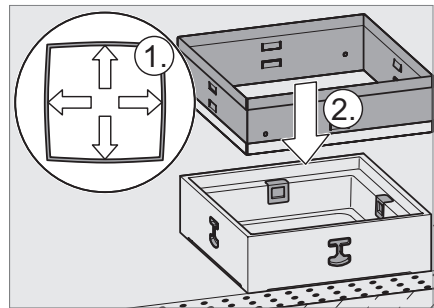
**Greater height**



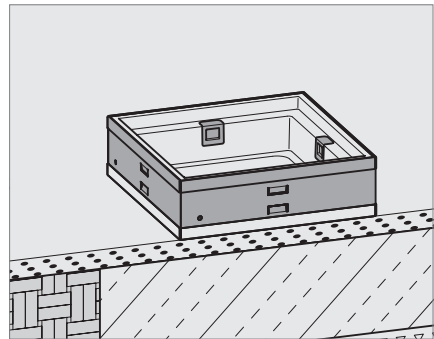
- Bend up the edges of the frame slightly (1) and push it on until it locks (2).
- Snap the design frame into place at 4 external snap-in points.



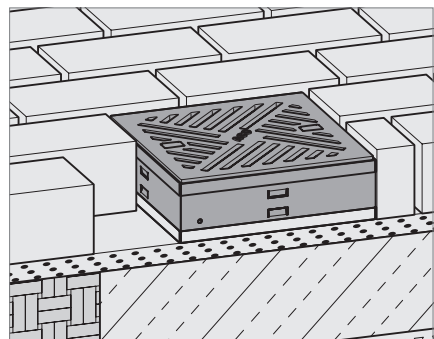
Once installed, design frames cannot be dismantled again



The design frame is correctly fitted on when the grating and frame edge are the same height. Upper edge approx. 3-5 mm below the adjacent surface e. g. paviers.



- Lay the grating in.
- Lay the paviers (wet in wet).



## 4. Cleaning the ACO Self® Europoint

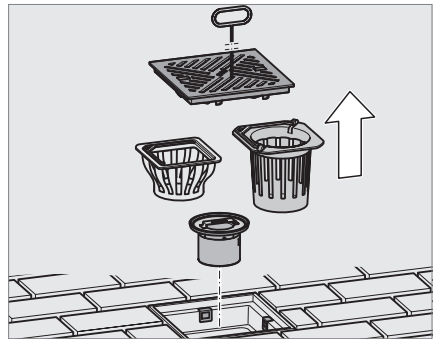
Intervals for cleaning are only recommendations and always have to be adapted to the individual demands:  
Clean the ACO Self® Europoint point drainage 1 – 2 times a year.

Clean more regularly in the case of a high degree of soiling e. g. by falling leaves.

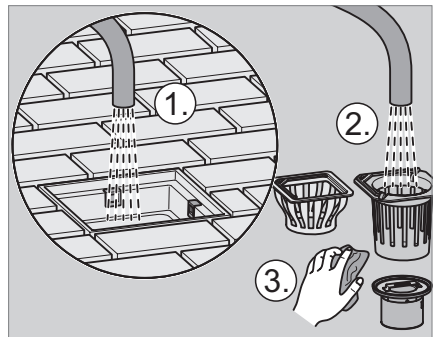
- Always remove dirt and foreign bodies
- Inspect for unobstructed inlets and outlets
- Replace missing or defective parts

### Cleaning the ACO Self® Europoint

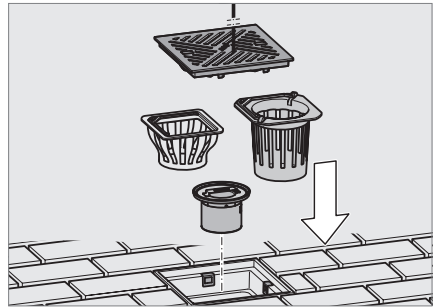
- Remove the grating with the grating hook.
- If necessary, remove the leaf trap/sludge bucket.
- Remove odour trap.



- Empty and clean the leaf trap/sludge bucket.
- Clean the odour trap.
- Rinse the gully with water.



→ Insert odour trap, leaf trap/sludge bucket and grating.



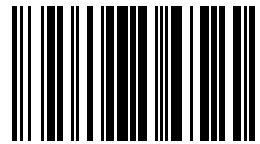




ACO Hochbau Vertrieb GmbH

Postbox 11 25  
97661 Bad Kissingen  
Germany  
Neuwirtshauser Straße 14  
97723 Oberthulba  
Germany  
Tel. 09736 41-60  
Fax 09736 41-69

[www.aco-hochbau.de](http://www.aco-hochbau.de)



MA5292

**ACO. creating  
the future of drainage**

