

ACO product catalogue

ACO GRP (Glass Reinforced Plastic) Separators
Grease & Light Oil Separators | Sludge Trap



**ACO. The future
of drainage**



GRP (Glass Reinforced Plastic) Separators Grease & Light Oil Separators | Sludge Trap



collect:
Collect and
remove



clean:
Pre-clean and
process



hold:
Protect and
attenuate



release:
Pump, discharge and
reuse



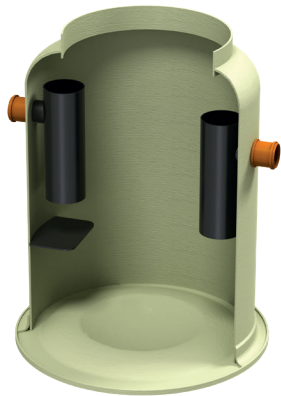
ACO system chain
in action

CONTENT

Grease Separator	4
Grease Separator - Assembly concept	4
Lipumax G	6
Lipumax G-H	10
Light Oil Separator	12
Light Oil Separator - Assembly concept	12
Oleopator G	14
Oleopator G-H	16
Oleopator-Bypass G	18
Oleopator-Bypass G-H – Integrated	20
External Bypass G-H / Dividing shaft	22
External Bypass G-H / Merging shaft	24
Oleosmart G	26
Sludge Trap G	28
Sludge Trap G-H	30
Top Sections	32
Top Sections for GRP Grease & Light Oil Separators Sludge Trap	32
Top Sections for GRP Light Oil Separators Sludge Trap	34
Accessories	35
Sample unit for GRP Grease & Light Oil Separators Sludge Trap	35
Top Sections for Sample unit	36
Accessories for GRP Grease Separators	37
Accessories for GRP Light Oil Separators Sludge Trap	38
Accessories for horizontal GRP Light Oil Separators Sludge Trap	39

Grease Separator - Assembly concept

Lipumax G | NS 1-25



Top section 1



Top section 2



Top section 3



Top sections

Top section 1

- Load class A 15
- Cover DN 600

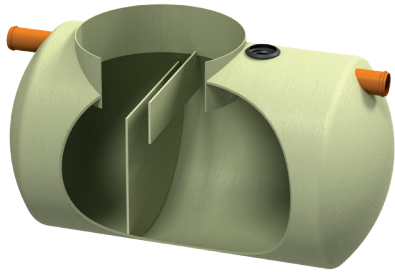
Top section 2

- Load class B 125
- Cover DN 600

Top section 3

- Load class D 400
- Cover DN 600

Lipumax G-H | NS 2-40



Top section 1



Top section 2



Top section 3



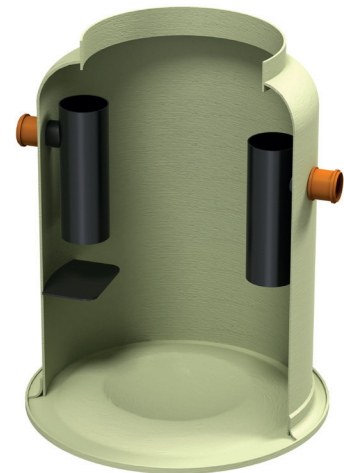
Lipumax G

Product information

ACO Product benefits

- Simple to install, requires less space
- Top section with odour proof sealed cover
- Integrated connection for sampling device
- Including rubber seal ring for connection with cover plate

- Tank made of glass reinforced plastic
- With integrated sludge trap
- One-piece construction
- Inner parts made of PEHD

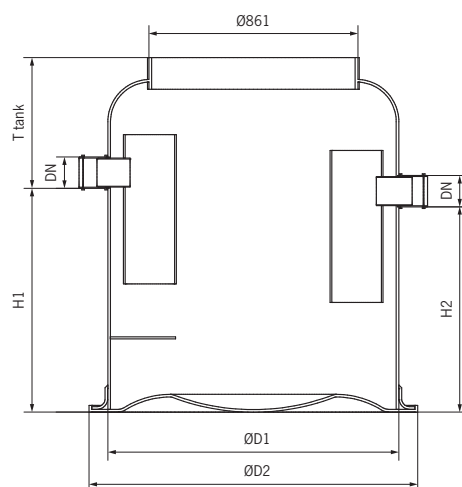


Order information

Nominal size	Inlet/outlet DN/OD [mm]	Volume			Weight [kg]	Item number
		Sludge trap [l]	Grease storage [l]	Total capacity [l]		
1	110	100	180	518	88	12501.01
1-2	110	200	180	620	93	12502.01
2	110	400	210	816	105	12509.01
4	160	400	210	816	110	12503.01
4	160	800	320	1387	127	12510.01
7	160	700	290	1444	130	12504.01
7	160	1400	750	2660	196	12511.01
10	160	1000	400	2272	180	12505.01
10	160	2000	1140	3358	185	12512.01
15	200	1500	1120	3399	270	12515.01
15	200	3000	1120	4874	340	12513.01
20	200	2000	1140	3882	300	12517.01
20	200	4000	1140	5879	370	12516.01
25	250	2500	1160	5287	450	12518.01
25	250	5000	1140	7795	555	12514.01



Dimensions



Nominal size	Item number Lipumax G-B Basic model	Item number Lipumax G-D Extension stage 1	Dimension				
			H1 [mm]	H2 [mm]	ØD1 [mm]	ØD2 [mm]	T tank [mm]
1	12501.01	12501.05	740	670	1000	1240	440
1-2	12502.01	12502.05	870	800	1000	1240	440
2	12509.01	12509.05	1120	1050	1000	1240	440
4	12503.01	12503.05	1120	1050	1000	1240	490
4	12510.01	12510.05	1330	1260	1200	1400	560
7	12504.01	12504.05	1380	1310	1200	1400	560
7	12511.01	12511.05	1600	1530	1500	1720	640
10	12505.01	12505.05	1380	1310	1500	1720	620
10	12512.01	12512.05	1995	1925	1500	1720	640
15	12515.01	12515.05	1430	1360	1800	2040	790
15	12513.01	12513.05	2010	1940	1800	2040	790
20	12517.01	12517.05	1620	1550	1800	2040	790
20	12516.01	12516.05	2405	2335	1800	2040	800
25	12518.01	12518.05	1560	1490	2200	2440	790
25	12514.01	12514.05	2220	2150	2200	2440	790

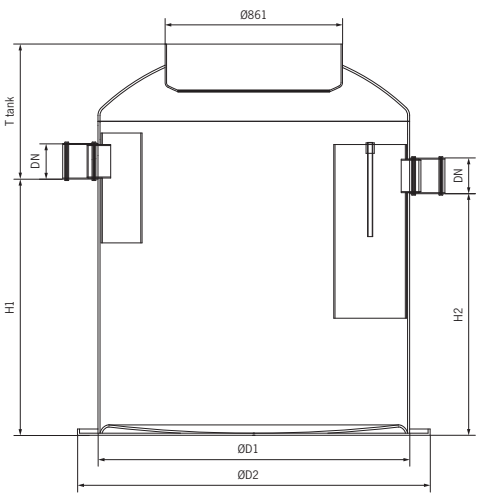
Note:

Lipumax G-DM - Extension stage 2 (Manual high pressure cleaning) only on request

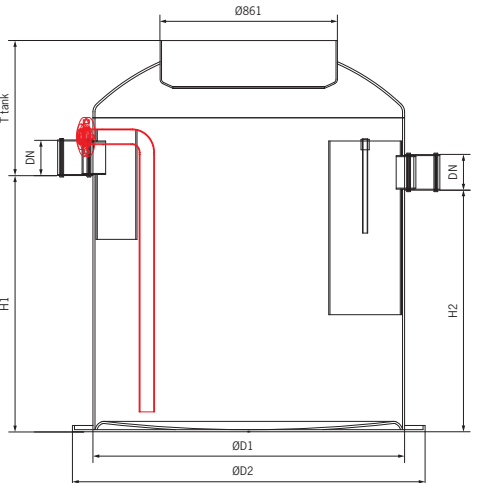
Lipumax G-DA - Extension stage 3 (Automated high pressure cleaning) only on request

Lipumax G

Lipumax G-B

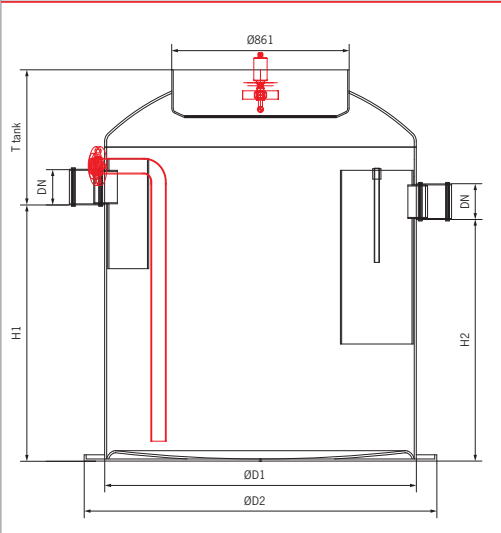
(Basic model)	Convenience	Description
	No	<ul style="list-style-type: none"> ■ Disposal and cleaning by opening the cover (associated with the formation of noxious smells)

Lipumax G-D

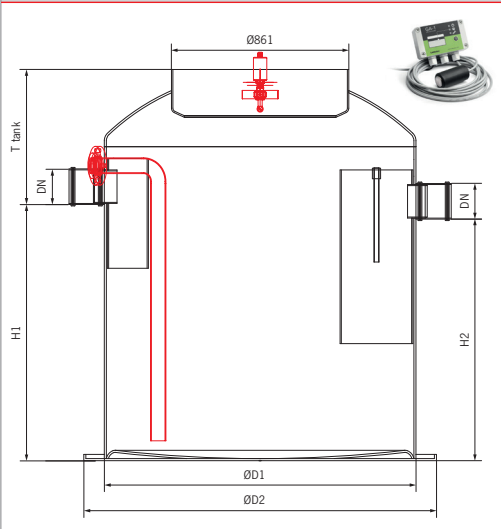
(Extension stage 1)	Convenience	Description
	No	<ul style="list-style-type: none"> ■ Odour-free disposal via a connector to direct suction ■ After-cleaning by opening the cover (associated with the slight formation of noxious smells) ■ Disposal connection DN65 (flange 75)



Lipumax G-DM

(Extension stage 2)	Convenience	Description
	<p>Manual</p>	<ul style="list-style-type: none"> ■ Manual odour-free disposal/cleaning via direct suction and hydro-mechanic high-pressure inner cleaning ■ Disposal connection DN65 (flange 75) ■ Filling device with ball valve for re-filling with fresh water ■ Hydro-mechanic inner cleaning via high-pressure pump and spray head

Lipumax G-DA

(Extension stage 3)	Convenience	Description
	<p>Automatic</p>	<ul style="list-style-type: none"> ■ Programmed, odour-free disposal/cleaning via direct suction and hydro-mechanic high-pressure inner cleaning ■ Disposal connection DN65 (flange 75) ■ Filling device with solenoid valve for re-filling with fresh water ■ Hydro-mechanic inner cleaning via high-pressure pump and spray head

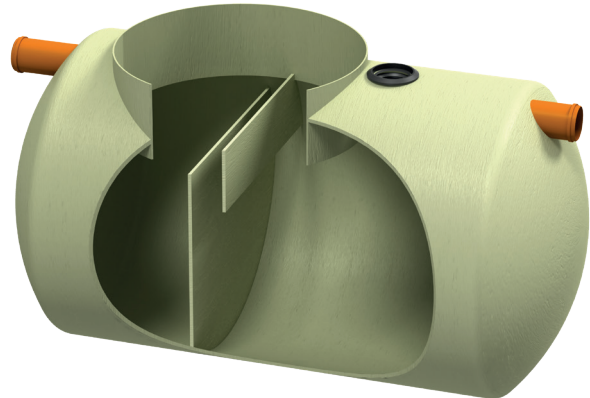
Lipumax G-H

Product information

ACO Product benefits

- Simple to install, space efficient
- Top section with odour proof sealed cover
- Including rubber seal ring for connection with cover plate

- Tank made of glass reinforced plastic
- With integrated sludge trap
- One-piece construction

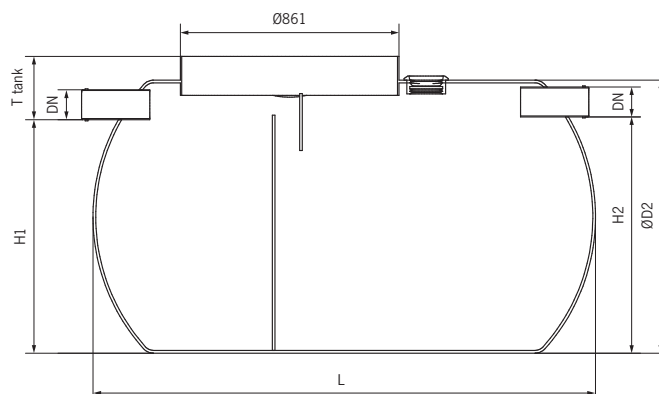


Order information

Nominal size	Inlet/outlet DN/OD [mm]	Volume			Weight [kg]	Item number
		Sludge trap [l]	Grease storage [l]	Total capacity [l]		
2	110	200	111	784	114	12450.01
2	110	400	111	919	119	12451.01
4	110	400	217	1624	147	12452.01
4	110	800	217	1953	158	12453.01
7	160	700	381	3308	284	12454.01
7	160	1400	381	3852	304	12455.01
10	160	1000	545	4461	325	12456.01
10	160	2000	545	5319	355	12457.01
15	200	1500	833	6117	406	12458.01
15	200	3000	833	7437	451	12459.01
20	200	2000	1111	7945	455	12460.01
20	200	4000	1111	9782	515	12461.01
25	200	2500	1397	11665	569	12462.01
25	200	5000	1397	13939	646	12466.01
30	250	3000	1676	13778	637	12463.01
30	250	6000	1676	16518	665	12467.01
35	250	3500	1976	18615	1181	12464.01
35	250	7000	1976	22607	1313	12468.01
40	315	4000	2296	19478	1319	12465.01
40	315	8000	2296	24019	1481	12469.01



Dimensions



Nominal size	Item number	Dimension					ACO Belt * [pcs]	Quantity of covers [pcs]
		H1 [mm]	H2 [mm]	ØD2 [mm]	T tank [mm]	L [mm]		
2	12450.01	880	810	1020	260	1380	0	1
2	12451.01	880	810	1020	260	1600	0	1
4	12452.01	1080	1010	1220	240	1800	0	1
4	12453.01	1080	1010	1220	240	2150	2	1
7	12454.01	1330	1260	1520	290	2381	2	1
7	12455.01	1330	1260	1520	290	2750	2	1
10	12456.01	1330	1260	1520	290	3106	2	1
10	12457.01	1330	1260	1520	290	3676	2	1
15	12458.01	1280	1210	1520	340	4285	2	2
15	12459.01	1280	1210	1520	340	5185	3	2
20	12460.01	1280	1210	1520	340	5477	3	2
20	12461.01	1280	1210	1520	340	6727	4	2
25	12462.01	1520	1450	1820	400	5659	5	2
25	12466.01	1520	1450	1820	400	6759	6	2
30	12463.01	1520	1450	1820	400	6618	6	2
30	12467.01	1520	1450	1820	400	7938	7	2
35	12464.01	1820	1750	2220	500	6226	7	2
35	12468.01	1820	1750	2220	500	7326	9	2
40	12465.01	1720	1650	2220	600	6877	8	2
40	12469.01	1720	1650	2220	600	8207	9	2

* Use in case of occurrence groundwater

Light Oil Separator - Assembly concept

Oleopator G | NS 3-50



Top section 1



Top section 2



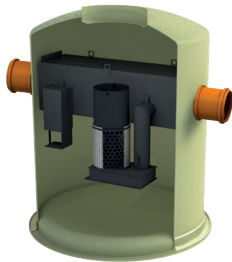
Top section 3



Top section 4



Oleopator-Bypass G | NS 6-30



Top section 1



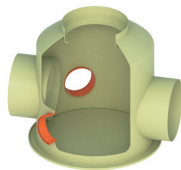
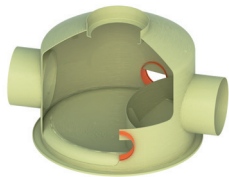
Top section 2



Top section 3



External Bypass G-H / Dividing & Merging shaft | NS 40-100



Top section 1



Top section 2



Top section 3



Oleosmart G | NS 4-15



Top section 1



Top section 2



Top section 3



Sludge Trap G | NS 6-50



Top section 1



Top section 2



Top section 3



Top sections

Top section 1

- Load class A 15
- Cover DN 600

Top section 2

- Load class B 125
- Cover DN 600

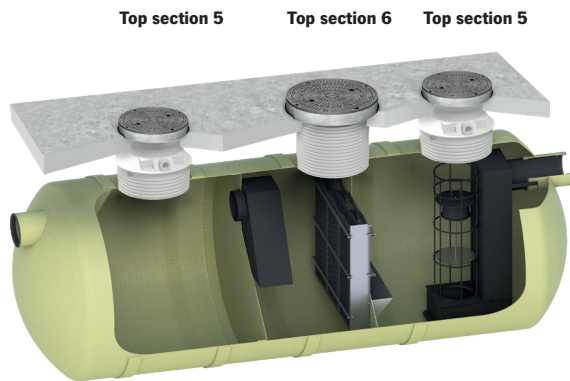
Top section 3

- Load class D 400
- Cover DN 600

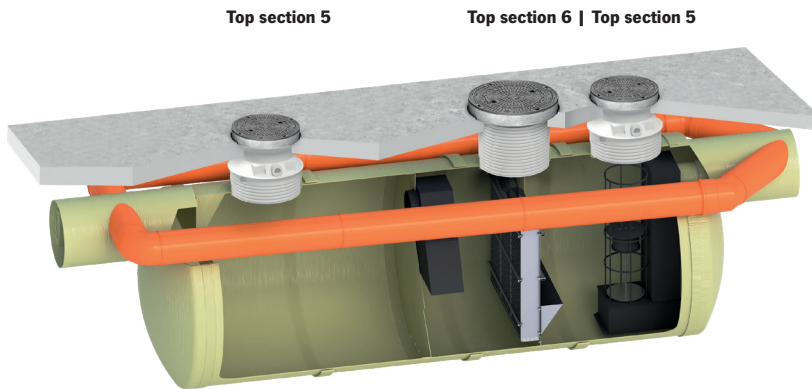
Top section 4

- Load class D 400
- Cover DN 800
- Oleopator G | NS 40-50

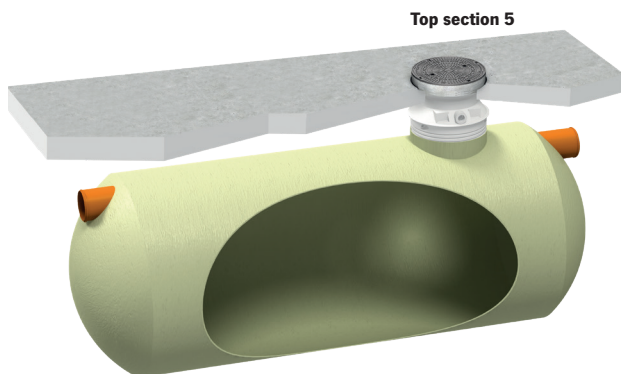
Oleopator G-H | NS 40-100



Oleopator-Bypass G-H - Integrated | NS 40-100



Sludge Trap G-H | NS 3-70



Top sections

Top section 5

- Load class D 400
- Cover DN 600

Top section 6

- Load class D 400
- Cover DN 800

Oleopator G

Product information

ACO Product benefits

- All nominal sizes tested by regional test institute (LGA)
- DOP
- Optimum accessibility guaranteed for maintenance, cleaning and disposal thanks to removable cage component
- Coalescence insert can be removed for cleaning without having to empty the separator

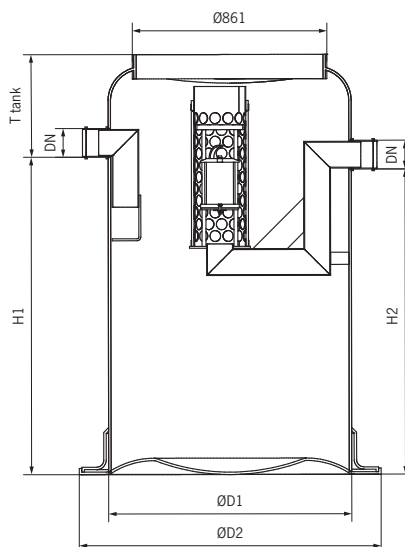
- Tank made of glass reinforced plastic
- With coalescence insert (filter)
- Inner parts made of PEHD



Order information

Nominal size	Inlet/outlet DN/OD [mm]	Sludge trap [l]	Volume		Weight [kg]	Top section diameter	Item number
			Oil storage [l]	Total capacity [l]			
3	110	0	163	479	100	DN600	12600.01
3	110	300	163	604	105	DN600	12601.01
3	110	600	163	903	120	DN600	12602.01
3	110	900	232	1297	172	DN600	12603.01
6	160	0	160	471	105	DN600	12610.01
6	160	600	160	887	169	DN600	12611.01
6	160	1200	232	1602	182	DN600	12612.01
6	160	1800	576	2413	390	DN600	12613.01
10	160	0	273	583	110	DN600	12620.01
10	160	1000	273	1534	197	DN600	12621.01
10	160	2000	576	2784	254	DN600	12622.01
10	160	3000	1020	3746	270	DN600	12626.01
15	200	0	464	1495	290	DN600	12630.01
15	200	1500	464	2360	390	DN600	12631.01
15	200	3000	944	3914	525	DN600	12632.01
20	200	0	1163	1410	320	DN600	12641.01
20	200	4000	1163	5857	480	DN600	12642.01
20	200	6000	1163	7909	555	DN600	12643.01
20	200	2000	1163	3243	505	DN600	12645.01
30	250	0	1513	1260	310	DN600	12650.01
30	250	3000	1513	5705	470	DN600	12651.01
30	250	6000	1613	8555	613	DN600	12652.01
40	315	0	1350	4223	440	DN800	12660.01
40	315	4000	1350	7225	560	DN800	12661.01
50	315	0	1350	4223	410	DN800	12670.01
50	315	5000	1350	8213	630	DN800	12671.01

Dimensions



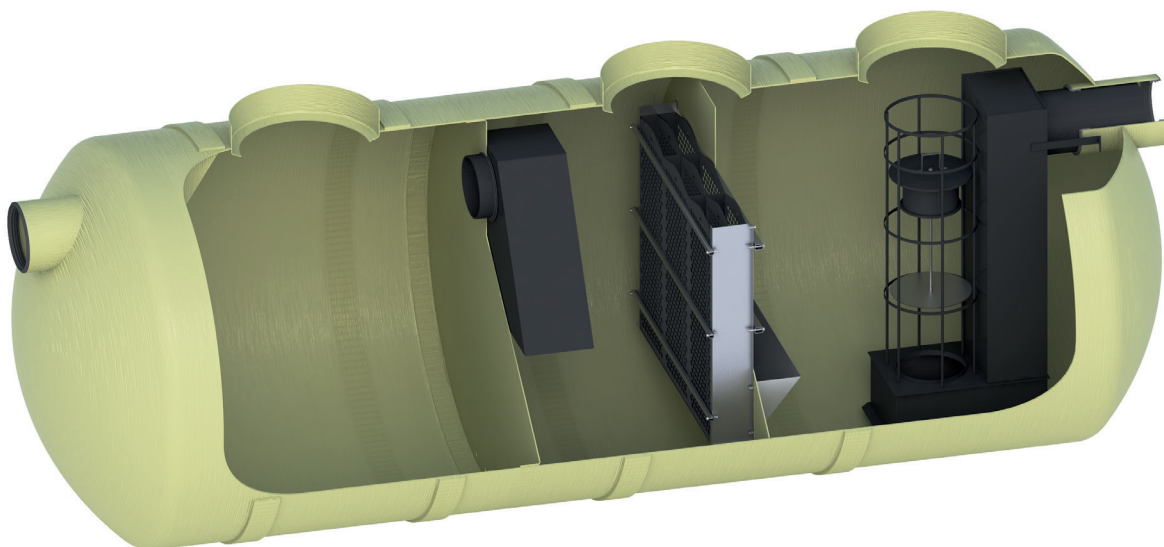
Nominal size	Item number	Dimension				
		H1 [mm]	H2 [mm]	ØD1 [mm]	ØD2 [mm]	T tank [mm]
3	12600.01	640	620	1000	1240	400
3	12601.01	800	780	1000	1240	400
3	12602.01	1180	1160	1000	1240	400
3	12603.01	1200	1180	1200	1400	460
6	12610.01	630	610	1000	1240	460
6	12611.01	1160	1140	1000	1240	460
6	12612.01	1470	1450	1200	1400	570
6	12613.01	1410	1390	1500	1720	630
10	12620.01	810	790	1000	1240	440
10	12621.01	1410	1390	1200	1400	590
10	12622.01	1620	1600	1500	1720	560
10	12626.01	1640	1620	1800	2040	690
15	12630.01	890	870	1500	1720	660
15	12631.01	1380	1360	1500	1720	660
15	12632.01	2260	2240	1500	1720	600
20	12641.01	1030	1010	1500	1720	660
20	12642.01	1660	1640	2200	2440	780
20	12643.01	2200	2180	2200	2440	690
20	12645.01	1880	1860	1500	1720	660
30	12650.01	945	925	1500	1720	655
30	12651.01	1620	1600	2200	2440	730
30	12652.01	2370	2350	2200	2440	720
40	12660.01	1230	1210	2200	2440	970
40	12661.01	2020	2000	2200	2440	830
50	12670.01	1230	1210	2200	2440	770
50	12671.01	2280	2260	2200	2440	960

Oleopator G-H

Product information

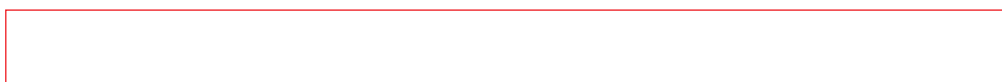
ACO Product benefits	
■	All nominal sizes tested by regional test institute (LGA)
■	DOP
■	Optimum accessibility guaranteed for maintenance, cleaning and disposal thanks to removable cage component
■	Coalescence insert can be removed for cleaning without having to empty the separator

- Tank made of glass reinforced plastic
- With coalescence insert (filter)
- Inner parts made of Stainless Steel and PEHD

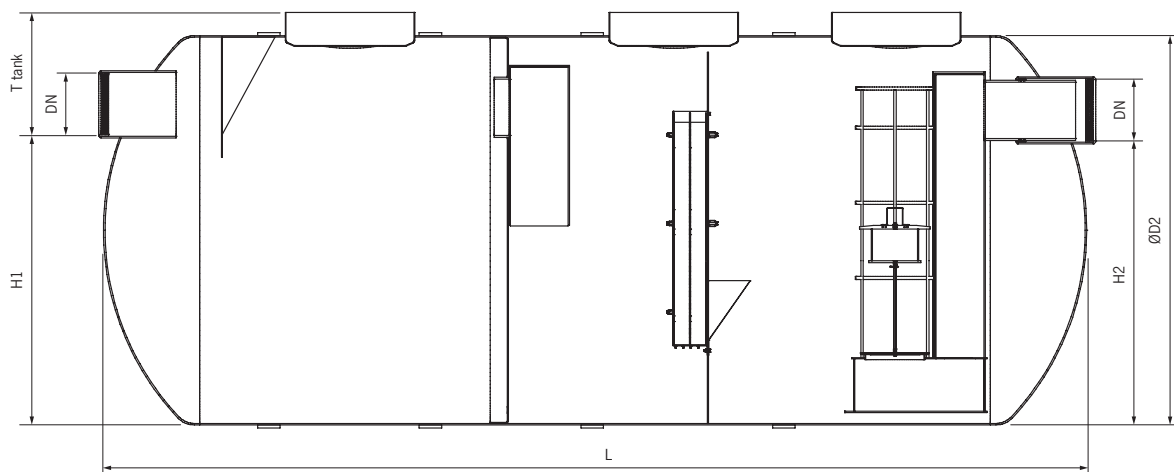


Order information

Nominal size	Inlet/outlet DN/OD [mm]	Volume			Weight [kg]	Item number
		Sludge trap [l]	Oil storage [l]	Total capacity [l]		
40	315	4000	4750	9152	640	12848.01
50	315	5000	4750	9780	690	12849.01
65	315	6500	5500	18812	1450	12856.01
80	400	8000	5500	20294	1630	12857.01
100	400	10 000	5500	22817	1730	12858.01



Dimensions



Nominal size	Item number	Dimension					ACO Belt *	Quantity of Top Sections	
		H1 [mm]	H2 [mm]	ØD2 [mm]	T tank [mm]	L [mm]		[DN 600]	[DN 800]
40	12848.01	1935	1915	2402	622	2518	4	0	1
50	12849.01	1935	1915	2402	622	2918	4	0	1
65	12856.01	1744	1704	2402	813	5745	6	2	1
80	12857.01	1744	1704	2402	813	6225	6	2	1
100	12858.01	1744	1704	2402	813	7025	7	2	1

* Use in case of occurrence groundwater

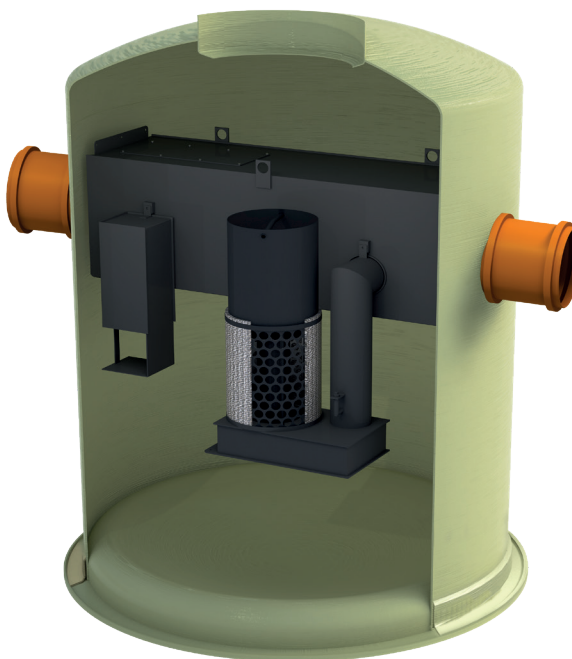
Oleopator-Bypass G

Product information

ACO Product benefits

- Option for drainage of large areas in combination with traditional separator technology
- All functions integrated in a single tank
- Space efficient

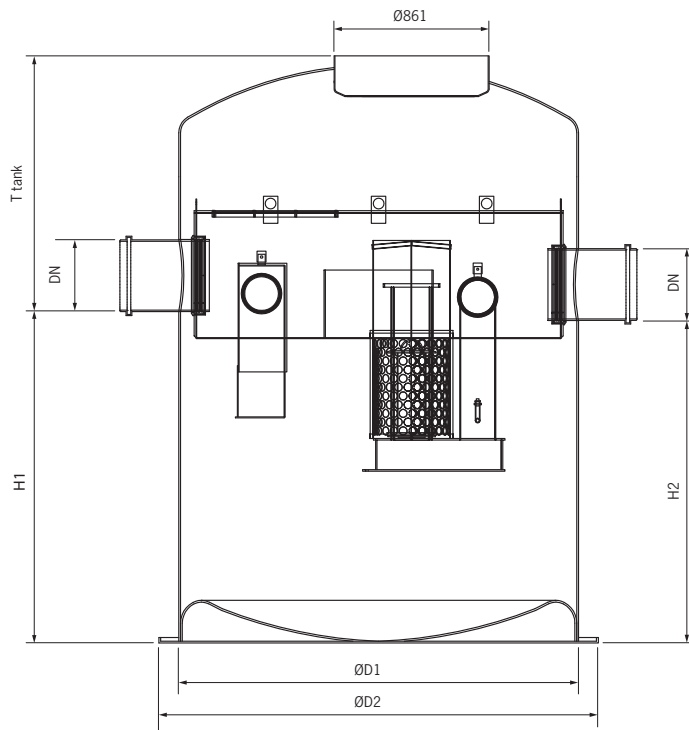
- Tank made of glass reinforced plastic
- With coalescence insert (filter)
- Pipe connection using suitable push sockets or pipe connectors (no welded sockets)
- With bypass channel and integrated bypass control
- One-piece construction
- Application examples:
 - Parking surfaces
 - Industrial surfaces
- Inner parts made PEHD



Order information

Nominal size	Inlet/outlet DN/OD [mm]	Max. Flow [l/s]	Volume			Weight [kg]	Item number
			Sludge trap [l]	Oil storage [l]	Total capacity [l]		
6	315	60	600	412	1318	275	12541.01
6	315	60	1200	412	1936	303	12542.01
6	315	60	1800	412	2554	331	12543.01
8	315	80	800	412	1530	284	12544.01
8	315	80	1600	412	2325	320	12545.01
8	315	80	2400	412	3120	357	12546.01
10	400	100	1000	412	1760	318	12547.01
10	400	100	2000	412	2749	363	12548.01
10	400	100	3000	412	3738	405	12549.01
15	400	150	1500	902	3311	478	12550.01
15	400	150	3000	902	4698	520	12551.01
15	400	150	4500	902	6370	566	12552.01
20	400	200	2000	1197	4413	477	12553.01
20	400	200	4000	1197	6427	519	12554.01
20	400	200	6000	1197	8403	566	12555.01
30	500	300	3000	1473	5439	564	12556.01
30	500	300	6000	1473	8441	708	12557.01
30	500	300	9000	1473	11442	801	12558.01

Dimensions



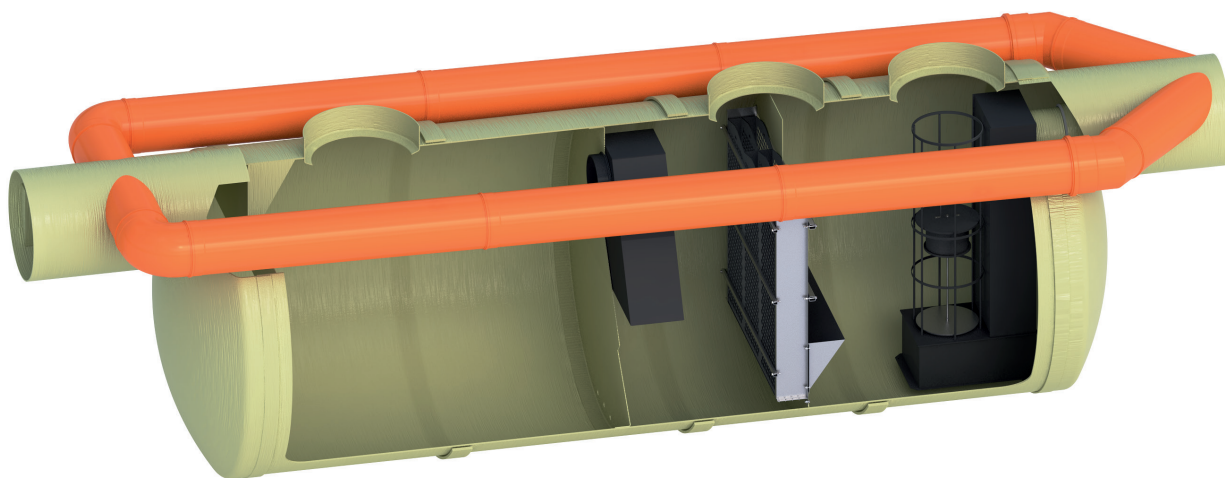
Nominal size	Item number	Dimension				
		H1 [mm]	H2 [mm]	ØD1 [mm]	ØD2 [mm]	T tank [mm]
6	12541.01	820	770	1500	1720	880
6	12542.01	1170	1120	1500	1720	875
6	12543.01	1520	1470	1500	1720	875
8	12544.01	940	890	1500	1720	875
8	12545.01	1390	1340	1500	1720	875
8	12546.01	1840	1790	1500	1720	875
10	12547.01	1070	1020	1500	1720	1060
10	12548.01	1630	1580	1500	1720	1060
10	12549.01	2190	2140	1500	1720	1020
15	12550.01	1020	970	2200	2440	1270
15	12551.01	1385	1335	2200	2440	1265
15	12552.01	1825	1775	2200	2440	1215
20	12553.01	1360	1260	2200	2440	1370
20	12554.01	1840	1790	2200	2440	1420
20	12555.01	2360	2310	2200	2440	1420
30	12556.01	1630	1530	2200	2440	1360
30	12557.01	2420	2320	2200	2440	1360
30	12558.01	3210	3110	2200	2440	1360

Oleopator-Bypass G-H – Integrated

Product information

- ACO Product benefits**
- All nominal sizes tested by regional test institute (LGA)
 - DOP
 - Optimum accessibility guaranteed for maintenance, cleaning and disposal thanks to removable cage component
 - Coalescence insert can be removed for cleaning without having to empty the separator

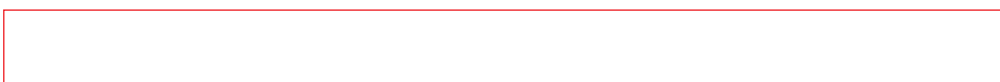
- Tank made of glass reinforced plastic
- With coalescence insert (filter)
- Inner parts made of Stainless Steel and PEHD



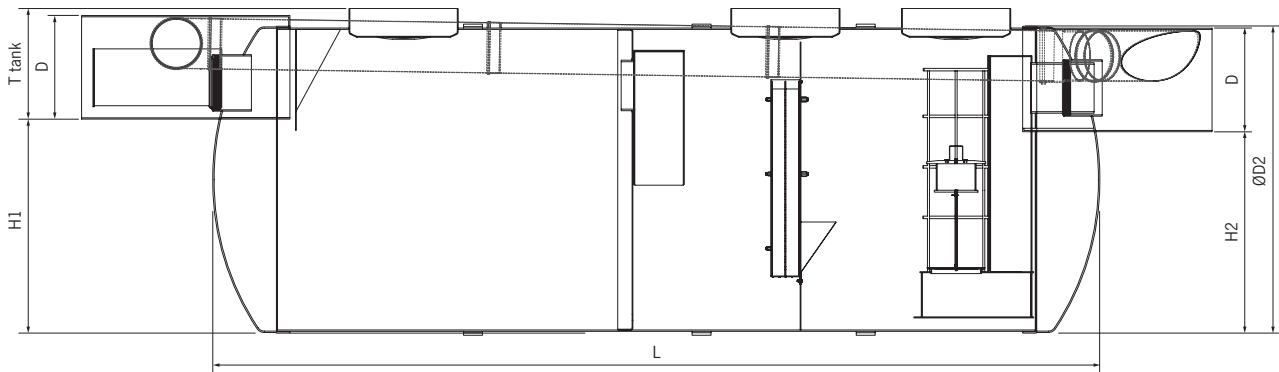
Order information

Nominal size	Bypass	Inlet/Outlet D [mm]	Volume			Weight [kg]	Item number
			Sludge trap [l]	Oil storage [l]	Total capacity [l]		
40/400	2xDN400	DN/ID 600	4000	4750	9152	920	12559.01
50/500	2xDN400	DN/ID 800	5000	4750	9780	1050	12560.01
65/300	2xDN315	DN/ID 600	6500	4500	17013	1934	12861.01
80/400	2xDN400	DN/ID 800	8000	4500	18251	2100	12862.01
100/500	2xDN400	DN/ID 800	10 000	4500	18914	2250	12863.01

* Inlet/Outlet pipe ≤ DN500 = PVC
 Inlet/Outlet pipe > DN500 = GRP



Dimensions



Nominal size	Item number	Dimension					ACO Belt * [pcs]	Quantity of Top Sections	
		H1 [mm]	H2 [mm]	ØD2 [mm]	T tank [mm]	L [mm]		[DN 600]	[DN 800]
40/400	12559.01	1916	1816	2402	655	4096	4	0	1
50/500	12560.01	1916	1816	2402	795	4846	4	0	1
65/300	12861.01	1758	1708	2402	813	8096	6	2	1
80/400	12862.01	1758	1658	2402	813	8433	6	2	1
100/500	12863.01	1705	1605	2402	866	8953	7	2	1

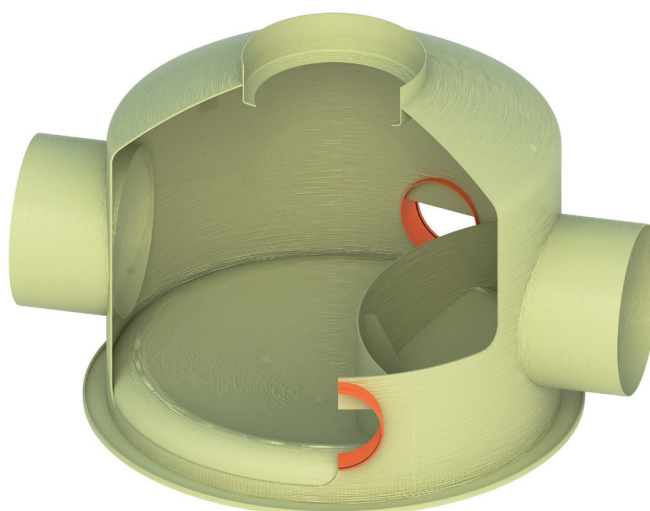
* Use in case of occurrence groundwater

External Bypass G-H / Dividing shaft

Product information

ACO Product benefits

- Option for drainage of large areas in combination with traditional separator technology
 - Space efficient
-
- Tank made of glass reinforced plastic
 - Pipe connection using suitable push sockets or pipe connectors (no welded sockets)
 - One-piece construction



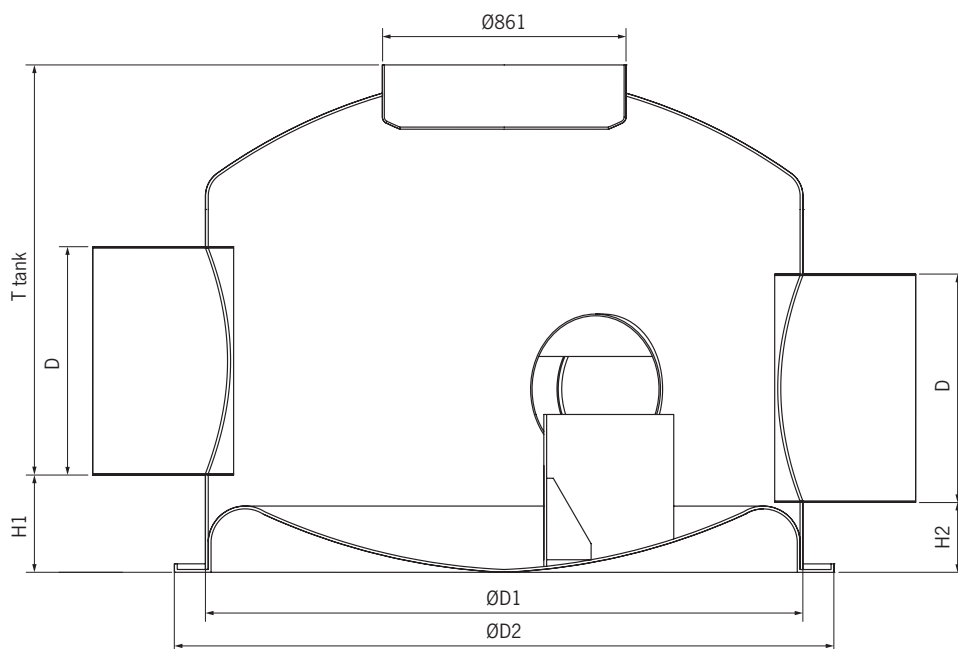
Order information

Flow rate		Inlet * D [mm]	Outlet (Bypass) * D [mm]	Outlet (Separator) [mm]	Weight [kg]	Item number
NS	Q max					
40	400	DN/OD 500	DN/OD 500	DN/OD 300	240	12750.01
50	500	DN/ID 600	DN/OD 500	DN/OD 300	240	12751.01
65	650	DN/ID 800	DN/ID 600	DN/OD 300	370	12752.01
80	800	DN/ID 800	DN/ID 600	DN/OD 400	380	12753.01
100	1000	DN/ID 800	DN/ID 800	DN/OD 400	410	12754.01
200 (2xNS100)	1000	DN/ID 800	DN/ID 800	DN/OD 400	410	12755.01
130 (2xNS65)	1300	DN/ID 1000	DN/ID 1000	DN/OD 300	440	12756.01
160 (2xNS80)	1600	DN/ID 1000	DN/ID 1000	DN/OD 400	440	12757.01
200 (2xNS100)	2000	DN/ID 1200	DN/ID 1000	DN/OD 400	480	12758.01

* Inlet/Outlet pipe ≤ DN500 = PVC
 Inlet/Outlet pipe > DN500 = GRP



Dimensions



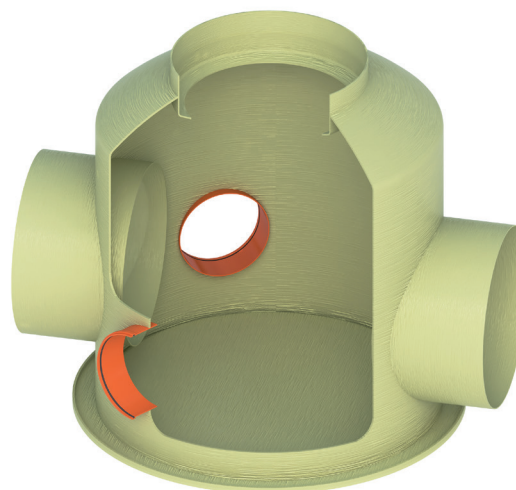
Flow rate		Item number	Dimension				
NS	Q max		H1 [mm]	H2 [mm]	ØD1 [mm]	ØD2 [mm]	T tank [mm]
40	400	12750.01	170	70	1500	1720	1130
50	500	12751.01	170	70	1500	1720	1130
65	650	12752.01	350	250	2100	2340	1373
80	800	12753.01	340	240	2100	2340	1383
100	1000	12754.01	350	250	2100	2340	1450
200 (2xNS100)	1000	12755.01	350	250	2100	2340	1450
130 (2xNS65)	1300	12756.01	350	250	2100	2340	1573
160 (2xNS80)	1600	12757.01	350	250	2100	2340	1573
200 (2xNS100)	2000	12758.01	350	250	2100	2340	1773

External Bypass G-H / Merging shaft

Product information

ACO Product benefits

- Option for drainage of large areas in combination with traditional separator technology
 - Space efficient
-
- Tank made of glass reinforced plastic
 - Pipe connection using suitable push sockets or pipe connectors (no welded sockets)
 - One-piece construction



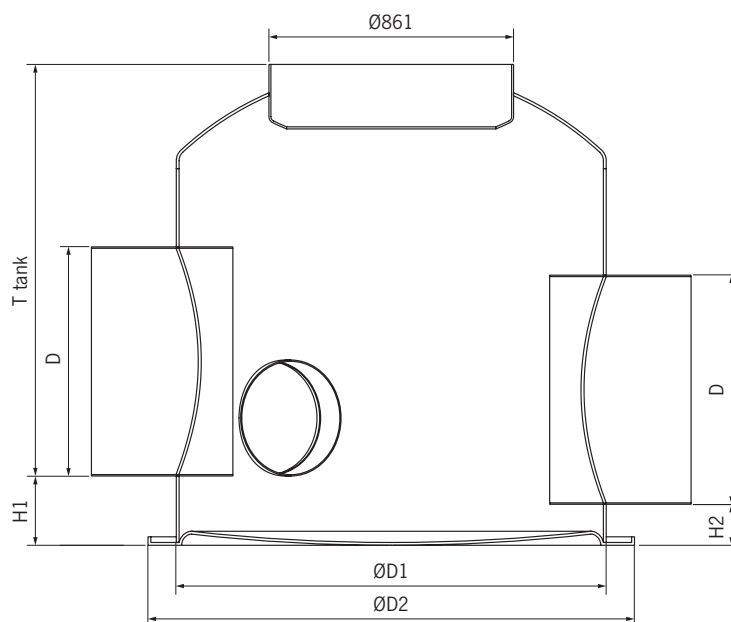
Order information

Flow rate		Inlet * D [mm]	Outlet (Bypass) * D [mm]	Outlet (Separator) [mm]	Weight [kg]	Item number
NS	Q max					
40	400	DN/OD 500	DN/OD 500	DN/OD 300	140	12770.01
50	500	DN/ID 600	DN/OD 500	DN/OD 300	140	12771.01
65	650	DN/ID 800	DN/ID 600	DN/OD 300	180	12772.01
80	800	DN/ID 800	DN/ID 600	DN/OD 400	180	12773.01
100	1000	DN/ID 800	DN/ID 800	DN/OD 400	290	12774.01
200 (2xNS100)	1000	DN/ID 800	DN/ID 800	DN/OD 400	290	12775.01
130 (2xNS65)	1300	DN/ID 1000	DN/ID 1000	DN/OD 300	300	12776.01
160 (2xNS80)	1600	DN/ID 1000	DN/ID 1000	DN/OD 400	300	12777.01
200 (2xNS100)	2000	DN/ID 1200	DN/ID 1200	DN/OD 400	420	12778.01

* Inlet/Outlet pipe ≤ DN500 = PVC
 Inlet/Outlet pipe > DN500 = GRP



Dimensions



Flow rate		Item number	Dimension				
NS	Q max		H1 [mm]	H2 [mm]	ØD1 [mm]	ØD2 [mm]	T tank [mm]
40	400	12770.01	170	70	1000	1240	1130
50	500	12771.01	170	70	1000	1240	1130
65	650	12772.01	340	140	1200	1400	1383
80	800	12773.01	340	140	1200	1400	1383
100	1000	12774.01	250	150	1500	1720	1440
200 (2xNS100)	1000	12775.01	250	150	1500	1720	1450
130 (2xNS65)	1300	12776.01	250	150	1500	1720	1673
160 (2xNS80)	1600	12777.01	250	150	1500	1720	1673
200 (2xNS100)	2000	12778.01	260	160	1800	2040	1863

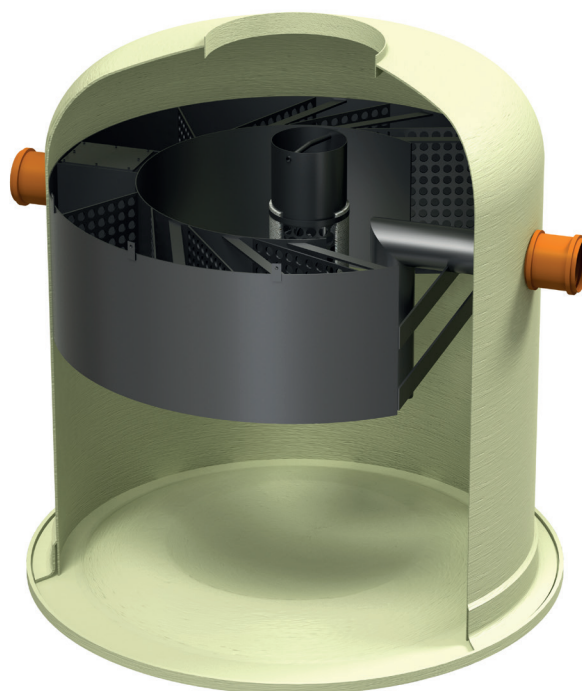
Oleosmart G

Product information

ACO Product benefits

- Low-maintenance thanks to filter-free multi-channel technology
- High sedimentation rate thanks to a long flow distance
- Operational reliability thanks to low turbulence float control

- Tank made of glass reinforced plastic
- No coalescence insert (filter)
- Simultaneous separation of sludge and light liquids
- Inner parts made of PEHD

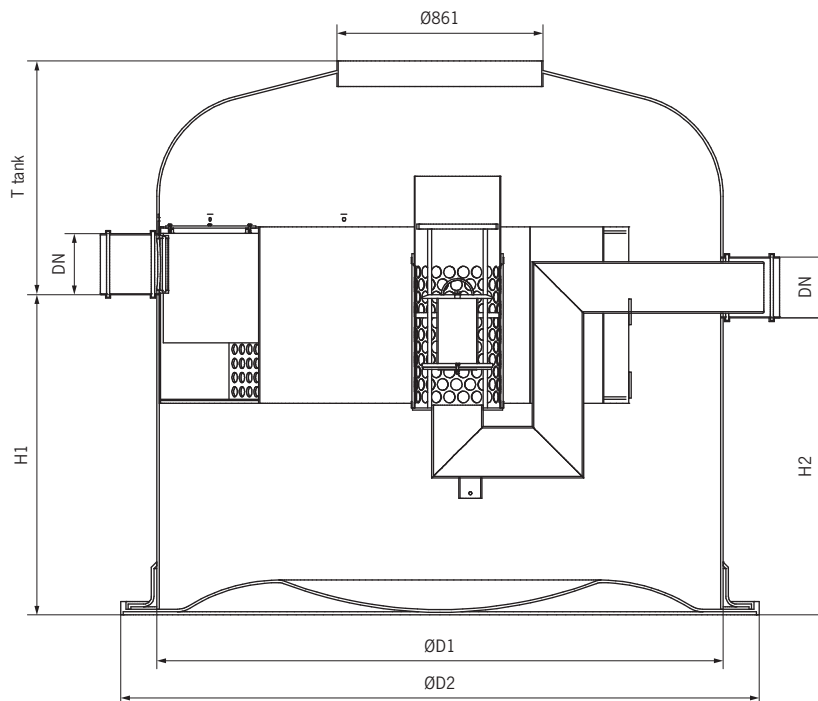


Order information

Nominal size	Inlet/outlet DN/OD [mm]	Volume			Weight [kg]	Item number
		Sludge trap [l]	Oil storage [l]	Total capacity [l]		
4	160	400	142	726	110	12700.01
4	160	800	142	1142	125	12701.01
6	160	600	396	1325	230	12713.01
6	160	1200	396	1925	250	12714.01
10	160	1000	396	1784	240	12703.01
10	160	2000	396	2844	260	12704.01
15	200	1500	744	3609	600	12706.01
15	200	3000	744	4521	630	12707.01
20	250	2000	1121	4369	610	12708.01
20	250	4000	1121	6649	680	12709.01



Dimensions



Nominal size	Item number	Dimension				
		H1 [mm]	H2 [mm]	ØD1 [mm]	ØD2 [mm]	T tank [mm]
4	12700.01	945	925	1000	1240	570
4	12701.01	1475	1455	1000	1240	570
6	12713.01	770	750	1500	1720	610
6	12714.01	1110	1090	1500	1720	610
10	12703.01	1030	1010	1500	1720	610
10	12704.01	1630	1610	1500	1720	610
15	12706.01	970	950	2200	2440	980
15	12707.01	1210	1190	2200	2440	1000
20	12708.01	1170	1150	2200	2440	940
20	12709.01	1770	1750	2200	2440	940

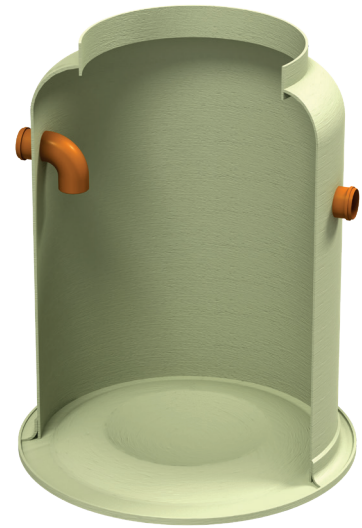
Sludge Trap G

Product information

ACO Product benefits

- Simple to install, space efficient

- Tank made of glass reinforced plastic
- One-piece construction

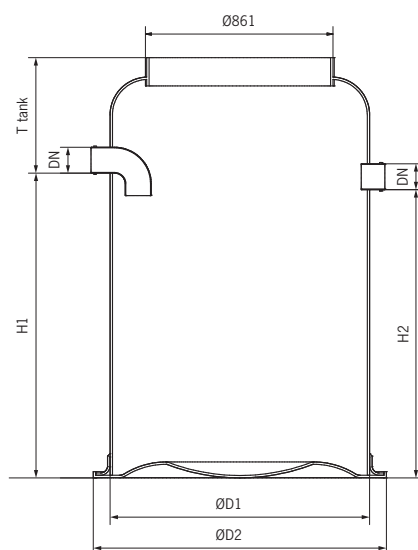


Order information

Volume Sludge trap [l]	Inlet/outlet DN/OD [mm]	Volume Total capacity [l]	Weight [kg]	Item number
600	110	723	125	12812.01
1000	110	1130	190	12813.01
1200	160	1431	200	12814.01
1500	160	1431	200	12815.01
2000	200	2620	290	12816.01
3000	250	3271	350	12817.01
4000	315	4258	380	12818.01
5000	315	4673	420	12819.01



Dimensions



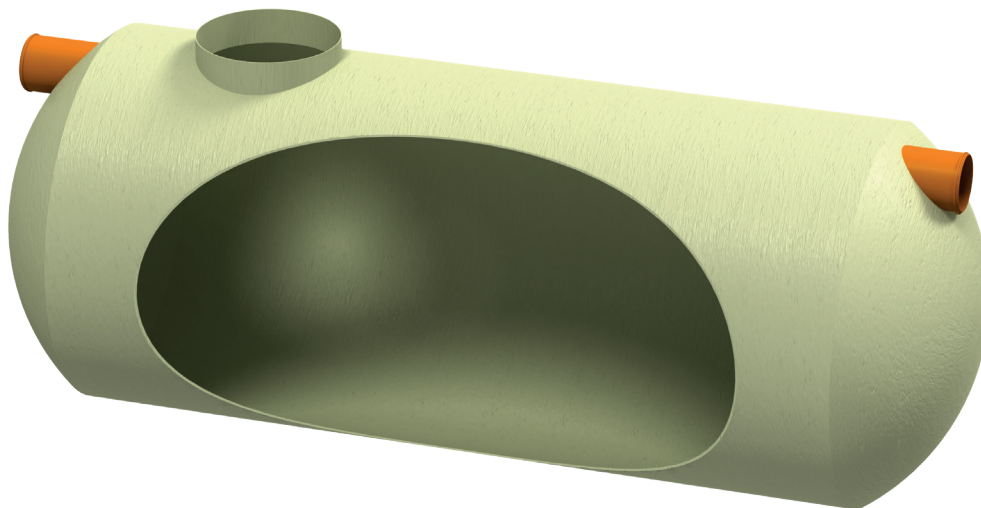
Volume Sludge trap [l]	Item number	Dimension				
		H1 [mm]	H2 [mm]	ØD1 [mm]	ØD2 [mm]	T tank [mm]
600	12812.01	690	640	1200	1400	390
1200	12813.01	690	640	1500	1720	540
1200	12814.01	860	810	1500	1720	570
1500	12815.01	860	810	1500	1720	570
2000	12816.01	1080	1030	1800	2040	720
3000	12817.01	995	945	2100	2340	805
4000	12818.01	1280	1230	2100	2340	770
5000	12819.01	1280	1230	2200	2440	720

Sludge Trap G-H

Product information

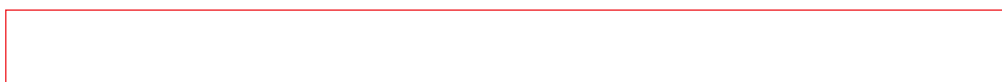
ACO Product benefits
■ Simple to install, space efficient

- Tank made of glass reinforced plastic
- One-piece construction

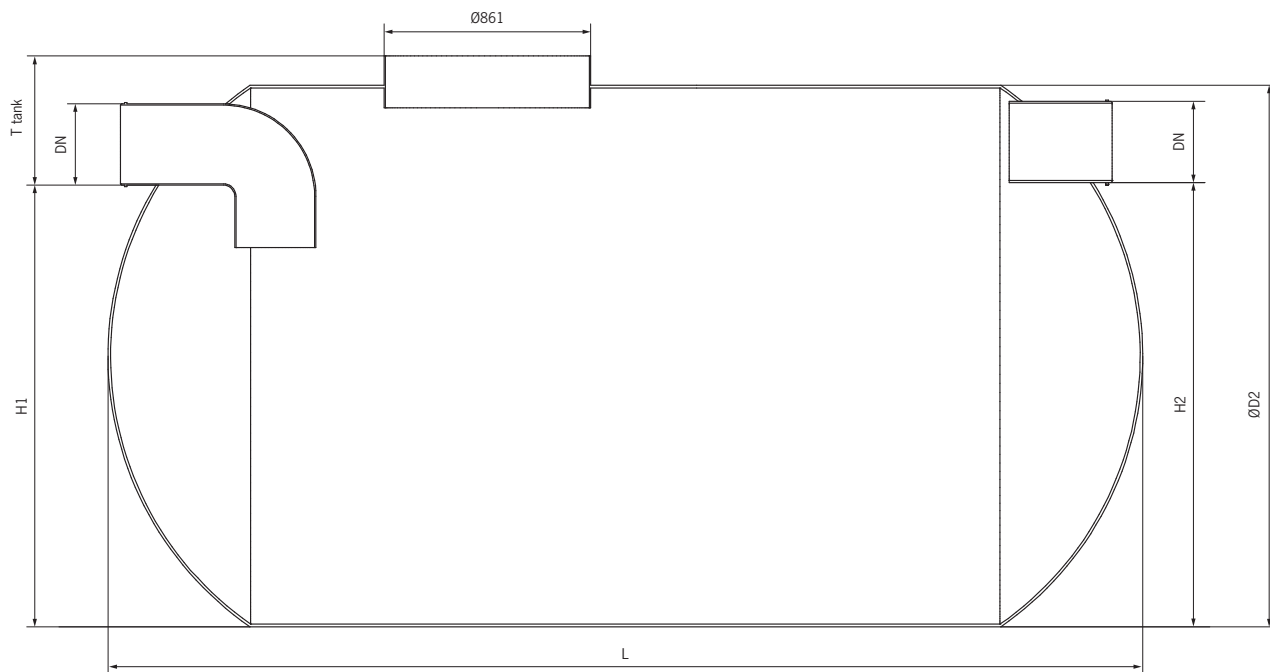


Order information

Volume Sludge trap [l]	Inlet/outlet DN/OD [mm]	Volume Total capacity [l]	Weight [kg]	Item number
3000	200	3034	238	12800.01
6500	200	6559	373	12801.01
10000	250	10001	490	12802.01
15000	250	15003	734	12803.01
20000	315	20155	859	12804.01
30000	315	30260	1470	12805.01
40000	400	40008	1918	12806.01
50000	400	50001	2086	12807.01
70000	400	71461	2896	12808.01



Dimensions



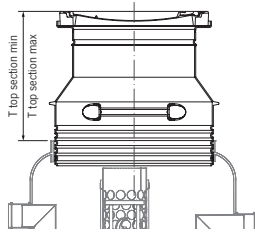
Volume Sludge trap [l]	Item number	Dimension					ACO Belt * [pcs]
		H1 [mm]	H2 [mm]	ØD2 [mm]	T tank [mm]	L [mm]	
3000	12800.01	1030	980	1220	290	3280	2
6500	12801.01	1630	1580	1820	290	3145	2
10000	12802.01	1580	1530	1820	340	4705	3
15000	12803.01	1880	1830	2120	340	5065	4
20000	12804.01	1815	1765	2120	405	6865	5
30000	12805.01	2140	2090	2400	360	7712	7
40000	12806.01	2030	1980	2400	470	10602	10
50000	12807.01	2030	1980	2400	470	13465	12
70000	12808.01	2230	2180	2590	460	15700	20

* Use in case of occurrence groundwater

Top Sections for GRP Grease & Light Oil Separators | Sludge Trap

Top section 1 - load class A 15 / DN 600

- ACO Product benefits**
- Load class A 15 according to EN 124
 - Frame and cover from concrete
 - Clear opening Ø 600 mm
 - Cover odour proof sealed
 - Raising tube from polyethylene

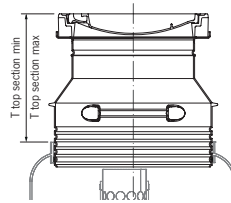


Order information

T top section (min-max)* [mm]	Manhole cover [mm]	Grease		Light Oil	
		Weight [kg]	Item number	Weight [kg]	Item number
520-640	Ø 600	97	3300.34.11	97	3301.34.11
520-1090	Ø 600	105	3300.34.12	103	3301.34.12
520-1690	Ø 600	116	3300.34.13	113	3301.34.13

Top section 2 - load class B 125 / DN 600

- ACO Product benefits**
- Load class B 125 according to EN 124
 - BEGU cover
 - Clear opening Ø 600 mm
 - Cover odour proof sealed
 - Raising tube from polyethylene



Order information

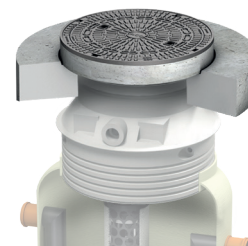
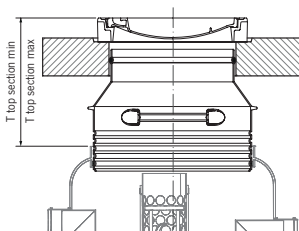
T top section (min-max)* [mm]	Manhole cover [mm]	Grease		Light Oil	
		Weight [kg]	Item number	Weight [kg]	Item number
550-670	Ø 600	110	3300.35.11	115	3301.35.11
550-1120	Ø 600	118	3300.35.12	123	3301.35.12
550-1720	Ø 600	128	3300.35.13	134	3301.35.13

Note*: T total = T tank + T top section (min-max)

Top section 3 - load class D 400 / DN 600

ACO Product benefits

- Load class D 400 according to EN 124
- BEGU cover
- Clear opening Ø 600 mm
- Cover odour proof sealed
- Raising tube from polyethylene
- Selectively with load distribution plate from concrete



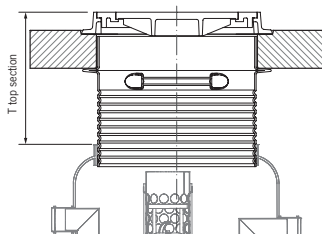
Order information

T top section (min-max)* [mm]	Manhole cover [mm]	Light Oil		Grease	
		Weight [kg]	Item number	Weight [kg]	Item number
550-655	Ø 600	846	3301.36.08	846	3300.36.08
550-1130	Ø 600	854	3301.36.09	854	3300.36.09
550-1730	Ø 600	866	3301.36.10	866	3300.36.10
550-655 (without load distribution plate)	Ø 600	186	3301.37.08	186	3300.37.08
550-1130 (without load distribution plate)	Ø 600	194	3301.37.09	194	3300.37.09
550-1730 (without load distribution plate)	Ø 600	198	3301.37.10	198	3300.37.10

Top section 4 - load class D 400 / DN 800

ACO Product benefits

- Load class D 400 according to EN 124
- Cover from cast iron
- Clear opening Ø 800 mm
- Cover odour proof sealed
- Raising tube from polyethylene
- Selectively with load distribution plate from concrete
- Oleopator G - FST NS 40 - 50



Order information

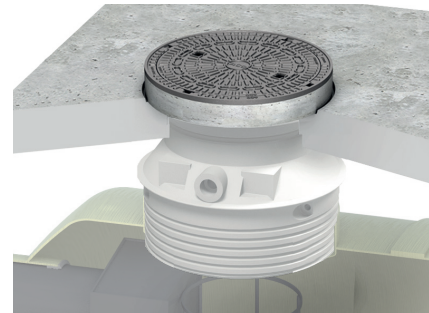
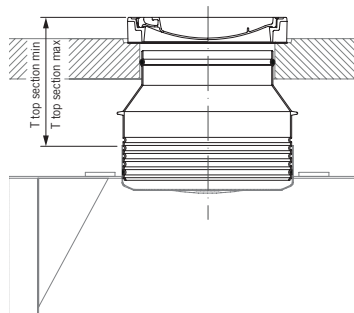
T top section (min)* [mm]	Manhole cover [mm]	Light Oil	
		Weight [kg]	Item number
505-715	Ø 800	1161	418951
500-1645	Ø 800	1194	418906
525-735 (without load distribution plate)	Ø 800	261	418950
500-1645 (without load distribution plate)	Ø 800	272	418905

Top Sections for GRP Light Oil Separators | Sludge Trap

Top section 5 - load class D 400 / DN 600

Order information

- ACO Product benefits**
- Load class B 125 and D 400 according to EN 124
 - BEGU cover
 - Clear opening Ø 600 mm
 - Cover odour proof sealed
 - Raising tube from polyethylene
 - Selectively with load distribution plate from concrete

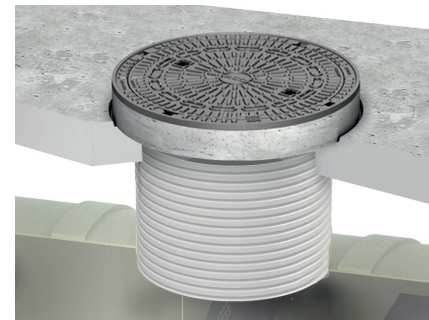
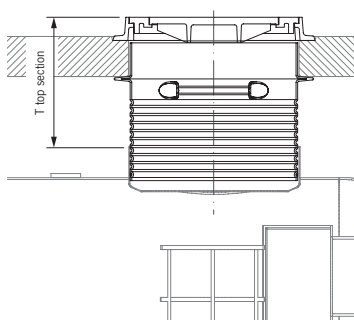


T top section (min-max)* [mm]	Manhole cover [mm]	Light Oil - Oleopator G-H & Oleopator-Bypass G-H & Sludge Trap G-H Weight [kg]	Item number
550-655 (without load distribution plate)	Ø 600	186	3301.37.08
550-1130 (without load distribution plate)	Ø 600	194	3301.37.09
550-1730 (without load distribution plate)	Ø 600	198	3301.37.10

Top section 6 - load class D 400 / DN 800

Order information

- ACO Product benefits**
- Load class B 125 and D 400 according to EN 124
 - Cover from cast iron
 - Clear opening Ø 800 mm
 - Cover odour proof sealed
 - Raising tube from polyethylene
 - Selectively with load distribution plate from concrete



T top section (min-max)* [mm]	Manhole cover [mm]	Light Oil - Oleopator G-H & Oleopator-Bypass G-H Weight [kg]	Item number
525-735 (without load distribution plate)	Ø 800	261	418950
500-1645 (without load distribution plate)	Ø 800	272	418905

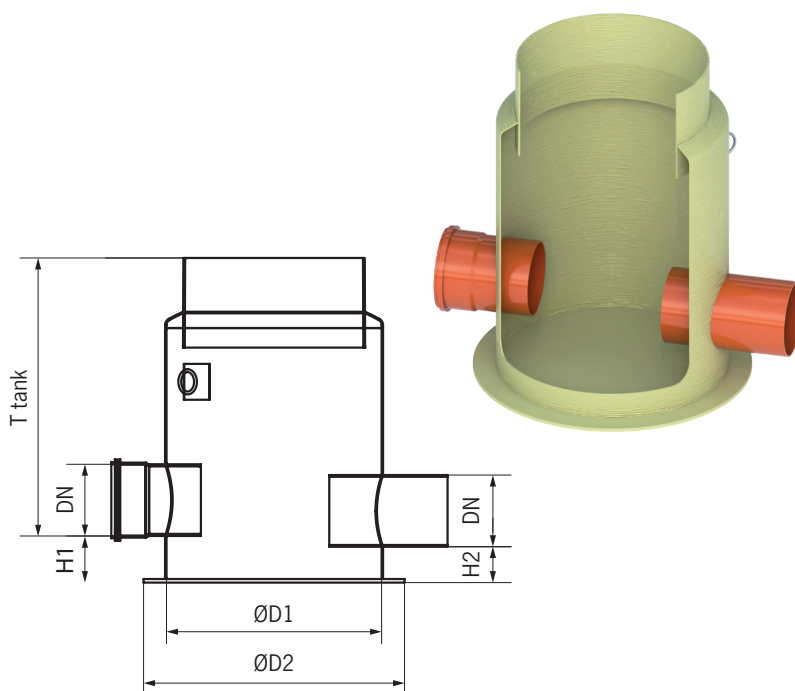
Note*: T total = T tank + T top section (min-max)

Sample unit for GRP Grease & Light Oil Separators | Sludge Trap

Product information

ACO Product benefits

- Option for drainage of large areas in combination with traditional separator technology
 - Space efficient
-
- Tank made of glass reinforced plastic
 - One-piece construction



Order information

OD/DN [mm]	Inlet / Outlet Difference [mm]	Weight [kg]	Dimension					Item number
			H1 [mm]	H2 [mm]	ØD1 [mm]	ØD2 [mm]	T tank [mm]	
160	30	60	150	120	600	728	755	12900.01
200	30	60	130	100	600	728	775	12901.01
250	30	62	105	75	600	728	800	12902.01
315	30	63	80	50	600	728	825	12903.01
400	30	64	80	50	600	728	825	12904.01

Top Sections for Sample unit

Top section 7 - load class B 125 / DN 450

ACO Product benefits

- Load class B 125 according to EN 124
- Cover from cast iron / D 450
- Clear opening Ø 450 mm
- Cover odour proof sealed
- Raising tube from polyethylene



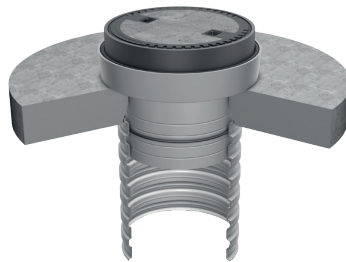
Order information

T top section (min-max)* [mm]	Manhole cover [mm]	Grease & Light Oil	
		Weight [kg]	Item number
205-880 (without load distribution plate)	Ø 450	126	12908.01

Top section 8 - load class D 400 / DN 450

ACO Product benefits

- Load class D 400 according to EN 124
- Cover from cast iron / D 450
- Clear opening Ø 450 mm
- Cover odour proof sealed
- Raising tube from polyethylene
- Distribution concrete plate



Order information

T top section (min-max)* [mm]	Manhole cover [mm]	Grease & Light Oil	
		Weight [kg]	Item number
205-880	Ø 450	556	12909.01

Extension element - DN 450

ACO Product benefits

- Clear opening Ø 450 mm
- Raising tube from polyethylene
- For install aforementioned sampling shaft at a deeper position separators
- Extension height 100 to 650 mm, can be shortened at 45 mm intervals by cutting at the cutting marks





Order information

T top section (min-max)* [mm]	Manhole [mm]	Grease & Light Oil	
		Weight [kg]	Item number
100-650	Ø 450	12	3300.13.00



Accessories for GRP Grease Separators

Order information

	Product description	Designation	Item number
Grease Separator			
	<p>Control unit GA 1 + one sensor GA - SG1</p> <ul style="list-style-type: none"> ■ Dimensions: 125 mm x 75 mm x 35 mm (L x H x D) ■ Material: Polycarbonate ■ Enclosure: IP65 ■ Operation temperature: -30 °C...+50 °C <ul style="list-style-type: none"> ▪ Supply voltage: 230 VAC ± 10 %, 50/60 Hz ▪ The device is not equipped with a mains switch ▪ Power consumption: GA-1: 5 VA, GA-2: 5 VA ▪ Sensors: 1 or 2 GA-SG1 sensors ▪ Relay outputs: Potential-free relay output 250 V, 5 A ▪ 1 pcs for GA-1 Operational delay 10 sec. Relay de-energize ▪ 2 pcs for GA-2 at trigger point. ▪ Electrical safety: IEC/EN 61010-1, Class II , CAT II ▪ EMC: IEC/EN 61000-6-3 (Emission) ▪ IEC/EN 61000-6-1 (Immunity) 	<p>GA-1 is an alarm device specially designed for grease separators. They indicate when it is time to empty the grease separator and thus prevents harmful grease emissions to the sewer system.</p>	M01596
	<p>Control unit GA 2 + two sensors GA - SG1</p> <ul style="list-style-type: none"> ■ Dimensions 125 mm x 75 mm x 35 mm (L x H x D) ■ Weight 250 g ■ Package 1,2 kg (control unit + 2 sensors + cable joint) ■ Enclosure IP 65, material polycarbonate ■ Cable glands adjustment range 6-10 mm ■ Operation temperature -30 °C...+50 °C <ul style="list-style-type: none"> ▪ Supply voltage 230 VAC ± 10 %, 50/60 Hz ▪ The device is not equipped with a mains switch ▪ Power consumption 5 VA ▪ Sensors 2 pcs GA-SG1 sensors ▪ Relay output 2 pcs potential-free relay outputs ▪ 250 V, 5 A Operational delay 10 sec. ▪ Relay de-energize at trigger point. ▪ Electrical safety IEC/EN 61010-1, Class II , CAT II ▪ EMC Emission IEC/EN 61000-6-3 ▪ Immunity IEC/EN 61000-6-1 	<p>GA-2 is an alarm device for monitoring the thickness of the grease layer accumulating in a grease interceptor and the blocking of the interceptor. The system consists of a GA-2 control unit, two GA-SG1 sensors and a cable joint.</p>	M01597
	Holder	Complementary for all alarm devices	418153


Accessories for Light Oil Separators | Sludge Trap

Order information

	Product description	Designation	Item number
Light Oil Separator & Sludge Trap			
	Alarm device (OB) <ul style="list-style-type: none"> ■ Monitoring device, 2x cable connections, oil level sensor, overflow sensor ■ 3 kg 	Oil layer thickness and overflow	704794
	Alarm device (O) <ul style="list-style-type: none"> ■ Monitoring device, cable connection, oil level sensor ■ 1,1 kg 	Oil layer thickness	704795
	Alarm device (B) <ul style="list-style-type: none"> ■ Monitoring device, cable connection, overflow sensor ■ 1,1 kg 	Overflow	704796
	Alarm device (OB) + casing	Set	704797
	Casing <ul style="list-style-type: none"> ■ For alarm device (OB, O, B) 	For installation the monitoring device outside an explosion hazard area	701620
	Holder	Complementary for all alarm devices	418153

Accessories for horizontal GRP Grease & Light Oil Separators | Sludge Trap

Order information

	Product description	Model	Item number
Horizontal Grease & Light Oil Separator & Sludge Trap			
	ACO Belt 75 SS <ul style="list-style-type: none"> ■ Load strap: Polyester ■ Tensioner and hooks: Stainless steel 	<ul style="list-style-type: none"> ■ 7,5 m 	2565.225
	ACO Belt 120 SS <ul style="list-style-type: none"> ■ Load strap: Polyester ■ Tensioner and hooks: Stainless steel 	<ul style="list-style-type: none"> ■ 12 m 	2565.270

ACO Industries Tábor s.r.o.

Prumyslova 1158
391 01 Sezimovo Usti
Czech Republic

www.aco.com

ACO. The future of drainage

All reasonable care has been taken in compiling the information in this document. All recommendations and suggestions on the use of ACO products are made without guarantee since the conditions of use are beyond the control of the Company. It is the customer's responsibility to ensure that each product is fit for its intended purpose and that the actual conditions of use are suitable. This brochure and any advice is provided free of charge and accordingly on terms that no liability (including liability for negligence) will attach the Company or its servants or agents arising out of or in connection with or in relation to this brochure or any such advice. Any goods supplied by the Company will be supplied solely upon its standard conditions of sale, copies of which are available on request. The Company's policy of continuous product development and improvement renders specifications liable to modification. Information provided in this brochure is therefore subject to change without prior notification.