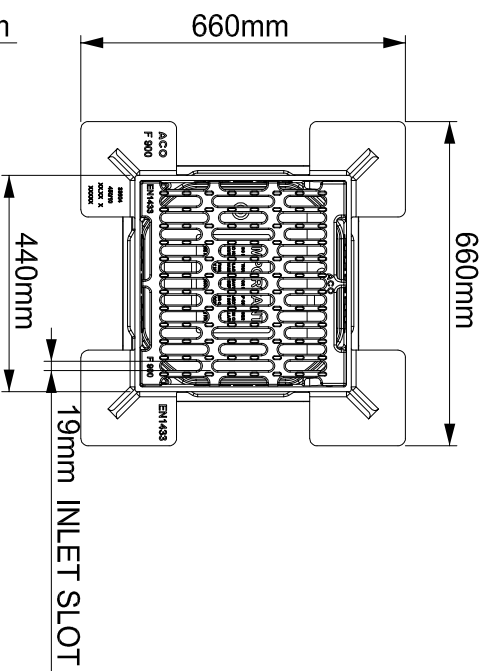
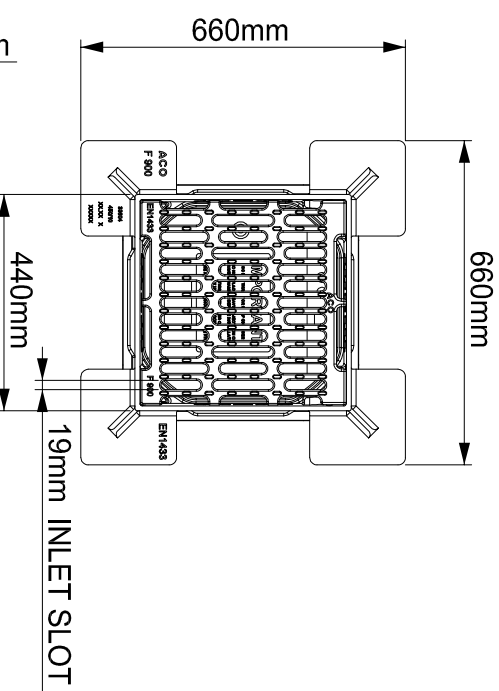


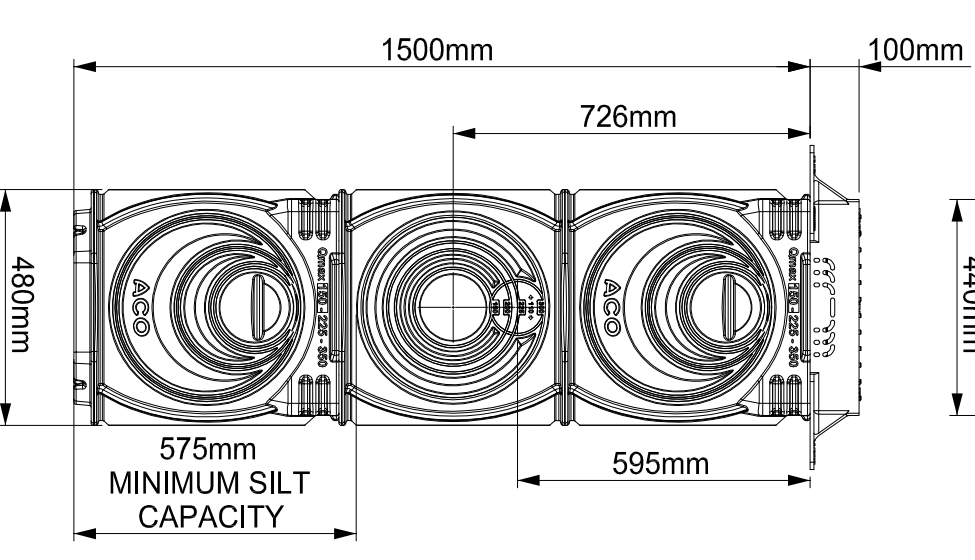
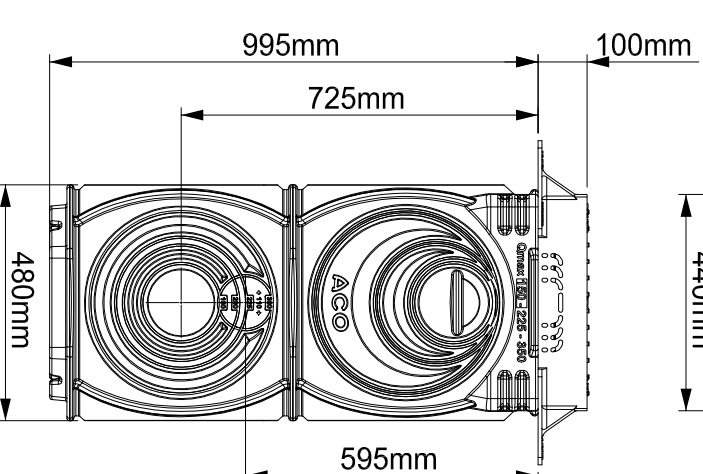
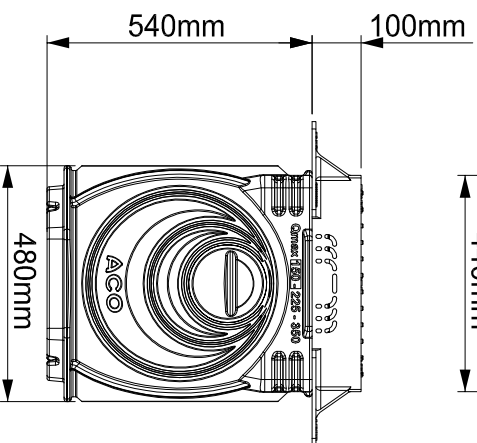
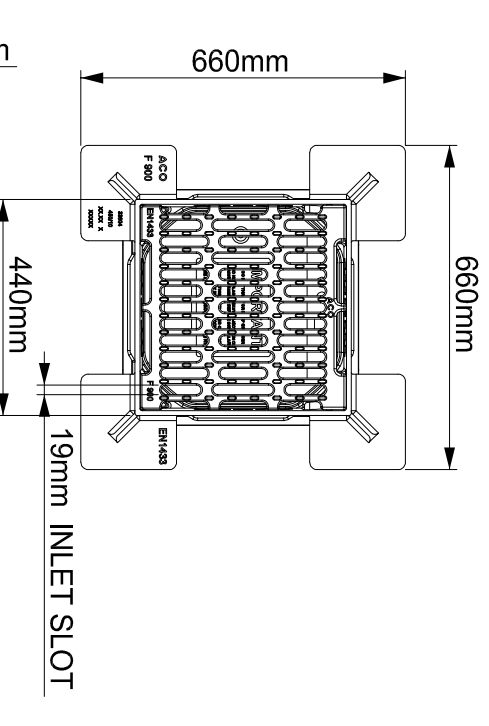
32971 - ACCESS CHAMBER WITH F900 SLOTTED COVER AND FRAME



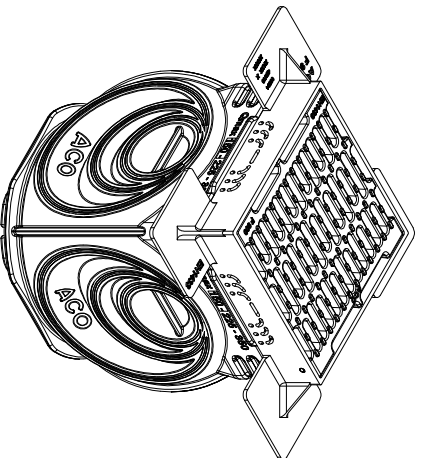
32973 - OUTLET/INLET CHAMBER WITH F900 SLOTTED COVER AND FRAME



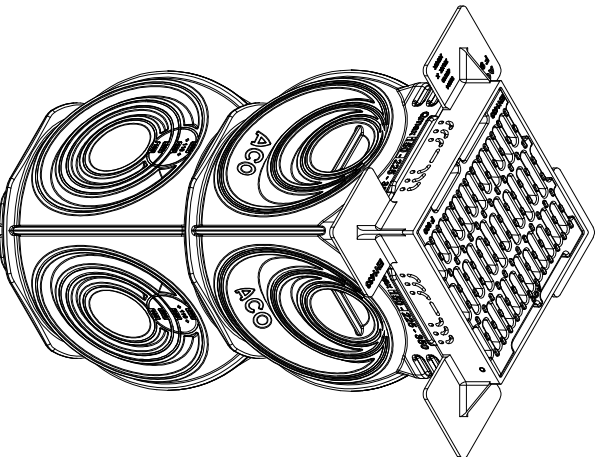
32975 - OUTLET/INLET CHAMBER WITH F900 SLOTTED COVER AND FRAME



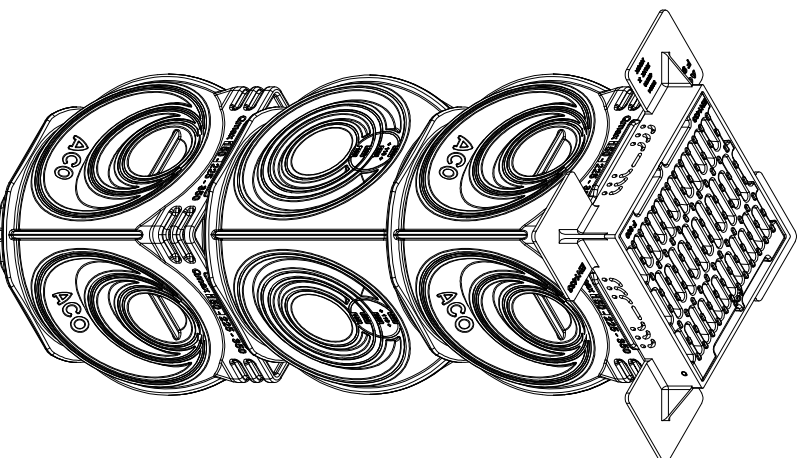
**ISOMETRIC VIEW
ACCESS CHAMBER**



**ISOMETRIC VIEW
OUTLET/INLET CHAMBER**



**ISOMETRIC VIEW
OUTLET/INLET/SILT CHAMBER**



- NOTES:**
- DIMENSIONS ARE FOR INDICATION ONLY AND MAY VARY DUE TO PART MANUFACTURING TOLERANCES AND INSTALLATION DETAILS
 - CLEAR OPENING

Version	Date	Description	Name
Created by: DEN	Released by: DEN	ACO Business Park Hitchin Road Shefford Bedfordshire SG17 5TE, UK Tel: 01462 816666 www.aco.co.uk	Revision: A
Created at: 15.10.2015	Released at: 15.10.2015	Drawing Number: E1-M01-219-1	Part Number: SEE SHEET
Replacement for:	Replaced by:	Title: ACCESS, OUTLET/INLET AND SILT CHAMBER	Format: A3
		Projection: ISO-A	Units: mm
		Information contained in this drawing is copyright property of ACO Technologies plc. Any reproduction in part or whole without written permission of ACO Technologies plc is prohibited.	Protection note: DIN ISO 16016
			Scale: 1:15
			Sheet: 1 of 1