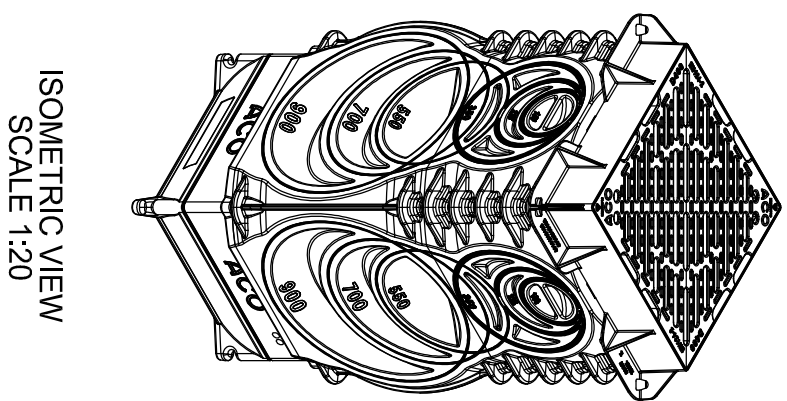
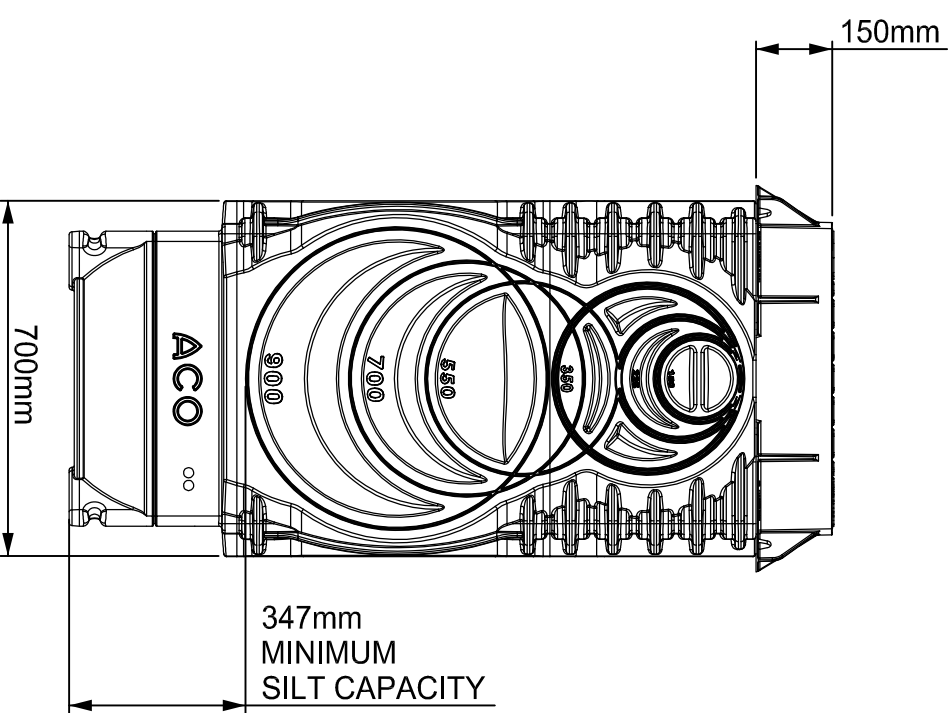
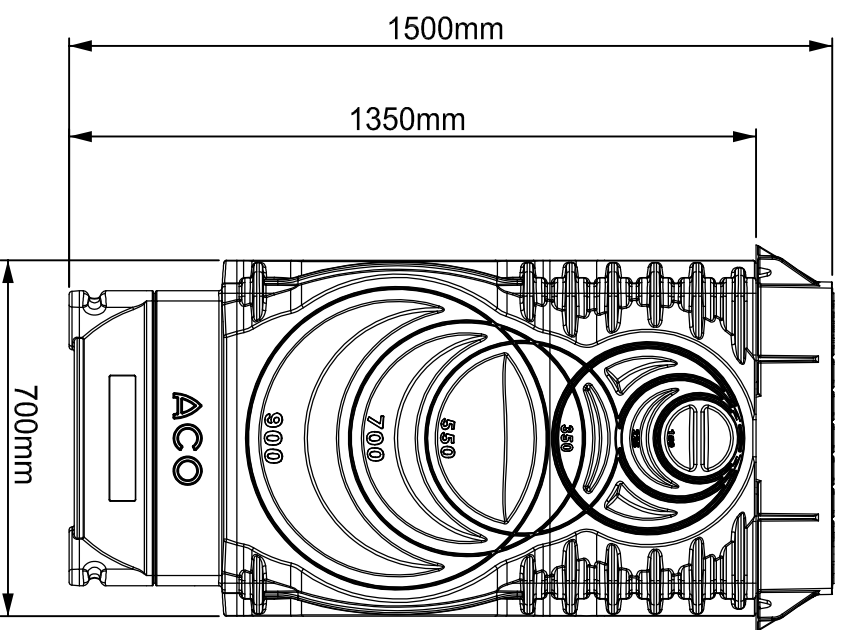
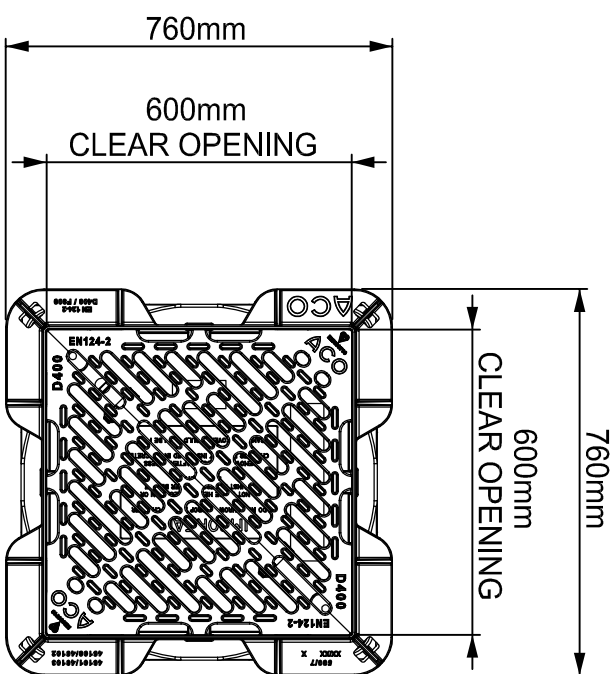


PART No.	DESCRIPTION	WEIGHT (KG)
46114	QMAX ACCESS CHAMBER WITH CATCHPIT CAST IRON D400 SLOTTED FRAME & COVER	97.75
46115	QMAX ACCESS CHAMBER WITH CATCHPIT CAST IRON D400 SOLID FRAME & COVER	92.6
46116	QMAX ACCESS CHAMBER WITH CATCHPIT CAST IRON F900 SLOTTED FRAME & COVER	122.2
46117	QMAX ACCESS CHAMBER WITH CATCHPIT CAST IRON F900 SOLID FRAME & COVER	110.3



Issue	Date	Description	Created	Approved
B	15/10/2020	INITIAL ISSUE	LB	LB

ACO Technologies plc Hitchin Road Sheffield Bedfordshire SG17 5TE, UK Tel: 01462 816666 www.aco.co.uk	Drawing Number: E1-M01-579-3	Part Number: SEE TABLE
---	------------------------------	------------------------

ACO Technologies plc	ACO Business Park Hitchin Road Sheffield Bedfordshire SG17 5TE, UK Tel: 01462 816666 www.aco.co.uk	Title: QMAX 550, 700, 900 ACCESS AND SILT CHAMBER
----------------------	--	---

Created by: LB	Created at: 15/10/2020	Projection: ISO-A	Units: mm	Format: A3	Scale: 1:15
Protection note: DIN ISO 16016		Information contained in this drawing is copyright property of ACO Technologies plc. Any reproduction in part or whole without written permission of ACO Technologies plc is prohibited			Sheet: 1 of 1

NOTES:
 * DIMENSIONS ARE FOR INDICATION ONLY AND MAY VARY DUE TO PART MANUFACTURING TOLERANCES AND INSTALLATION DETAILS
 * CLEAR OPENING